



PLUGS & SOCKET-OUTLETS



P.218

- FSX - Socket-outlet & welding receptacle - Stainless steel AISI 316 L
- FSAL - Socket-outlet & welding receptacle - Copper free aluminium
- FSR - Socket-outlet & welding receptacle - GRP
- FPR - Plugs - GRP

PLUGS & SOCKET-OUTLETS

Receptacles - FSX



Stainless steel AISI 316 L housing and glass fiber reinforced polyester block contacts.

Thank to the design of block contact turning on suitable hinges, FS.. socket outlets & welding receptacles allow an easy wiring and maintenance.

When open, all space corresponding to surface O.D. of apparatus is available for wiring operation.

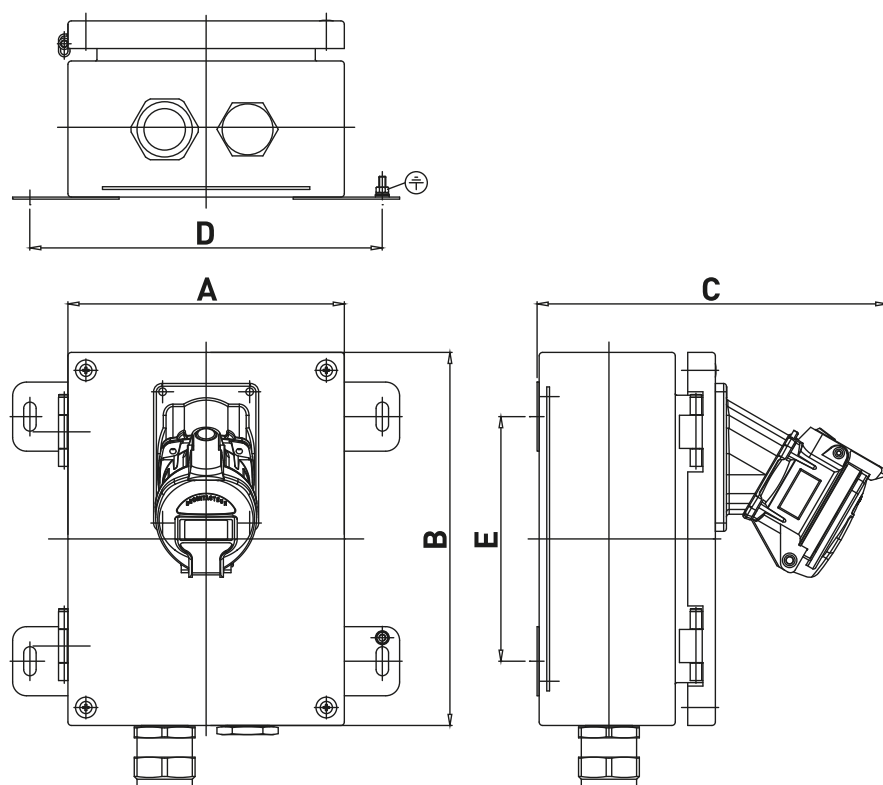
Also, by the twin terminal for each polarity, foreseen it is possible the loop of power cable, saving therefore the costs of one extra junction box, two cable glands and man power cost for wiring in between junction box and socket outlet.

Cross section of looping terminal strip allows use of cable size over the socket full load.

TECHNICAL FEATURES

Material	Enclosure: AISI 316 L Stainless steel Socket: GRP
IP rating	IP66
Ambient temperature range	-40°C to +60°C
Approvals	Certified 06ATEX0015 (standard) TR CU (marking upon request)
Marking	II 2 GD EEx ed IIC T(**) EEx tD A21 IP66 T(**) ** T6/T85°C, T5/T100°C
Frequency	50Hz
Connection terminals cross section flexible cores/rigid cores	For 20 A = 10 / 10 sqmm For 32 A = 16 / 16 sqmm For 63 A = 35 / 35 sqmm Smaller or bigger terminal sizes available on request.
Standard certificate label	Made by self adhesive UV and corrosion resistant polyester, approved by certified Laboratory.
Standard accessories	N°1 AISI 316 L Stainless steel cable gland PNA type N°1 AISI 316 L Stainless steel plug
Accessories available upon request	Drain/breather valve Traffolyte/Stainless steel certificate label Plug

Dimensions FSX



Receptacles - FSX

TYPE	CODE	COLOUR CODE	VOLTAGE [V]	CONTACT ARRANGEMNT	CURRENT [A]	ENTRIES	DIMENSIONS ENCLOSURE [mm]				
							A	B	C	D	E
FSX-2-20-24-50	B040111125113		24	2P	20	2XM25	137	200	240	192	
FSX-3-20-110-50	B040111335113		110-130	1P+N+E	20	2XM25	137	200	240	192	
FSX-3-20-230-50	B040111435113		220-250	1P+N+E	20	2XM25	137	200	240	192	
FSX-4-20-400-50	B040121545113		380-440	3P+E	20	2XM25	200	270	240	255	177
FSX-5-20-400-50	B040121555113		380-440	3P+N+E	20	2XM25	200	270	240	255	177
FSX-2-32-24-50	B040122125113		24	2P	32	2XM32	200	270	255	255	177
FSX-3-32-110-50	B040122335113		110-130	1P+N+E	32	2XM32	200	270	255	255	177
FSX-3-32-230-50	B040122435113		220-250	1P+N+E	32	2XM32	200	270	255	255	177
FSX-4-32-400-50	B040122545113		380-440	3P+E	32	2XM32	200	270	255	255	177
FSX-5-32-400-50	B040122555113		380-440	3P+N+E	32	2XM32	200	270	255	255	177
FSX-2-63-24-50	B040133125113		24	2P	63	2XM50	270	350	265	325	257
FSX-3-63-110-50	B040133335113		110-130	1P+N+E	63	2XM50	270	350	265	325	257
FSX-3-63-230-50	B040133435113		220-250	1P+N+E	63	2XM50	270	350	265	325	257
FSX-4-63-400-50	B040133545113		380-440	3P+E	63	2XM50	270	350	265	325	257
FSX-5-63-400-50	B040133555113		380-440	3P+N+E	63	2XM50	270	350	265	325	257

* In case of maximum ambient temperature reach +40°C, temperature class changes into T6 (ordering code to be required)

PLUGS & SOCKET-OUTLETS

Receptacles - FSAL



Aluminium with low content of copper housing and glass fiber reinforced polyester block contacts.

Thank to the design of block contact turning on suitable hinges, FS.. socket outlets & welding receptacles allow an easy wiring and maintenance.

When open, all space corresponding to surface O.D. of apparatus is available for wiring operation.

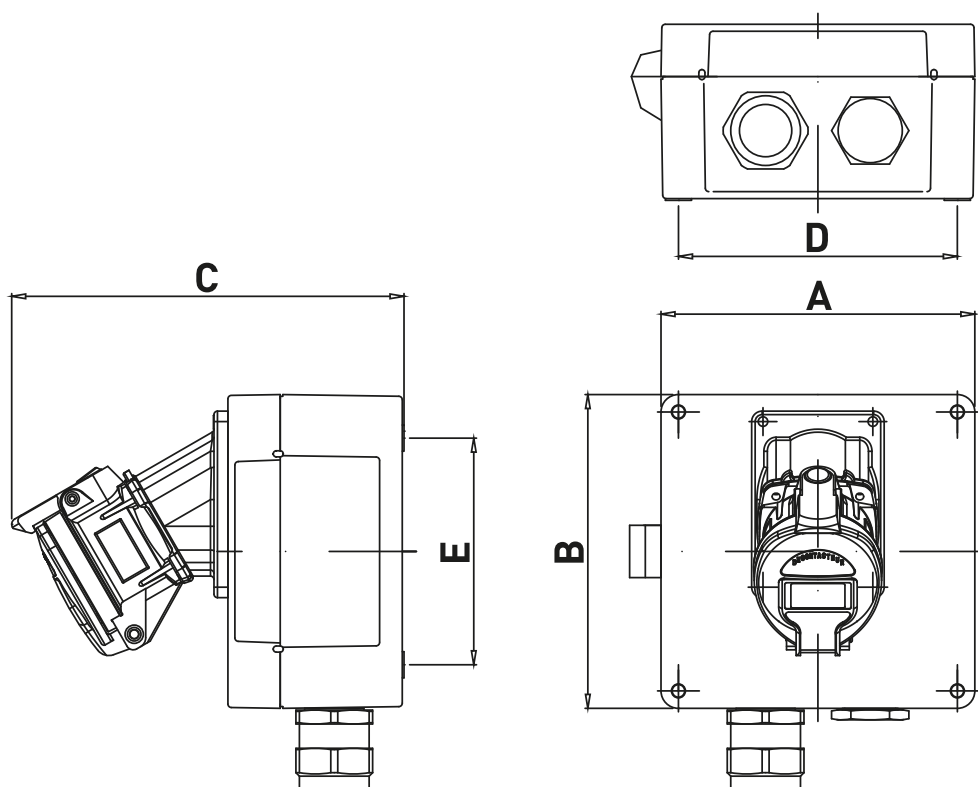
Also, by the twin terminal for each polarity, foreseen it is possible the loop of power cable, saving therefore the costs of one extra junction box, two cable glands and man power cost for wiring in between junction box and socket outlet.

Cross section of looping terminal strip allows use of cable size over the socket full load.

TECHNICAL FEATURES

Material	Enclosure: Aluminium with low content of copper Socket: GRP
IP rating	IP66
Ambient temperature range	-40°C to +60°C
Approvals	Certified 06ATEX0015 (standard) TR CU (marking upon request)
Marking	II 2 GD EEx ed IIC T(**) EEx tD A21 IP66 T(**) ** T6/T85°C, T5/T100°C
Frequency	50Hz
Connection terminals cross section flexible cores/rigid cores	For 20 A = 10 / 10 sqmm For 32 A = 16 / 16 sqmm For 63 A = 35 / 35 sqmm Smaller or bigger terminal sizes available on request.
Standard certificate label	Made by self adhesive UV and corrosion resistant polyester, approved by certified Laboratory.
Standard accessories	N°1 Nickel chrome plated brass cable gland PNA type N°1 Nickel chrome plated brass plug
Accessories available upon request	Drain/breather valve Traffolyte/Stainless steel certificate label Plug

Dimensions FSAL



Receptacles - FSAL

TYPE	CODE	COLOUR CODE	VOLTAGE [V]	CONTACT ARRANGEMNT	CURRENT [A]	ENTRIES	DIMENSIONS ENCLOSURE [mm]				
							A	B	C	D	E
FSAL-2-20-24-50	B040211125113		24	2P	20	2XM25	122	120	200	106	82
FSAL-3-20-110-50	B040211335113		110-130	1P+N+E	20	2XM25	122	120	200	106	82
FSAL-3-20-230-50	B040211435113		220-250	1P+N+E	20	2XM25	122	120	200	106	82
FSAL-4-20-400-50	B040221545113		380-440	3P+E	20	2XM25	160	160	200	140	110
FSAL-5-20-400-50	B040221555113		380-440	3P+N+E	20	2XM25	160	160	200	140	110
FSAL-2-32-24-50	B040232125113		24	2P	32	2XM32	180	180	230	160	130
FSAL-3-32-110-50	B040232335113		110-130	1P+N+E	32	2XM32	180	180	230	160	130
FSAL-3-32-230-50	B040232435113		220-250	1P+N+E	32	2XM32	180	180	230	160	130
FSAL-4-32-400-50	B040242545113		380-440	3P+E	32	2XM32	202	232	240	180	180
FSAL-5-32-400-50	B040242555113		380-440	3P+N+E	32	2XM32	202	232	240	180	180
FSAL-2-63-24-50	B040243125113		24	2P	63	2XM50	202	232	250	180	180
FSAL-3-63-110-50	B040243335113		110-130	1P+N+E	63	2XM50	202	232	250	180	180
FSAL-3-63-230-50	B040243435113		220-250	1P+N+E	63	2XM50	202	232	250	180	180
FSAL-4-63-400-50	B040253545113		380-440	3P+E	63	2XM50	313	404	250	262	383
FSAL-5-63-400-50	B040253555113		380-440	3P+N+E	63	2XM50	313	404	250	262	383

* In case of maximum ambient temperature reach +40°C, temperature class changes into T6 (ordering code to be required)

PLUGS & SOCKET-OUTLETS

Receptacles - FSR



Glass fiber reinforced polyester housing and block contacts.

Thank to the design of block contact turning on suitable hinges, FS.. socket outlets & welding receptacles allow an easy wiring and maintenance.

When open, all space corresponding to surface O.D. of apparatus is available for wiring operation.

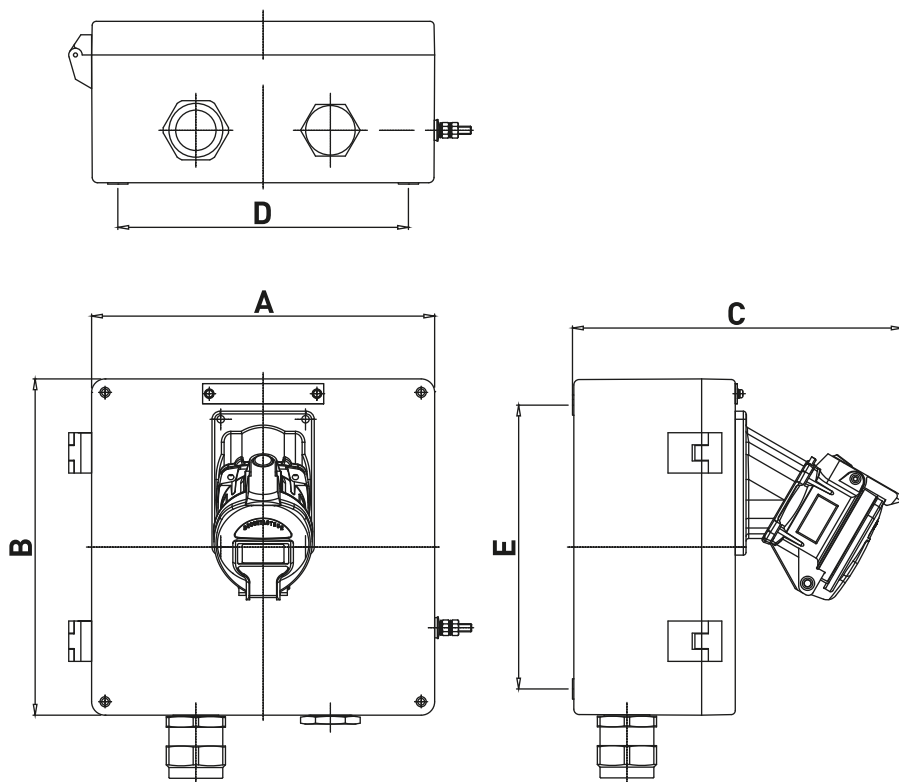
Also, by the twin terminal for each polarity, foreseen it is possible the loop of power cable, saving therefore the costs of one extra junction box, two cable glands and man power cost for wiring in between junction box and socket outlet.

Cross section of looping terminal strip allows use of cable size over the socket full load.

TECHNICAL FEATURES

Material	Enclosure: GRP Socket: GRP
IP rating	IP66
Ambient temperature range	-40°C to +60°C
Approvals	Certified 06ATEX0015 (standard) TR CU (marking upon request)
Marking	II 2 GD EEx ed IIC T(**) EEx tD A21 IP66 T(**) ** T6/T85°C, T5/T100°C
Frequency	50Hz
Connection terminals cross section flexible cores/rigid cores	For 20 A = 10 / 10 sqmm For 32 A = 16 / 16 sqmm For 63 A = 35 / 35 sqmm Smaller or bigger terminal sizes available on request.
Standard certificate label	Made by self adhesive UV and corrosion resistant polyester, approved by certified Laboratory.
Standard accessories	N°1 Nickel chrome plated brass cable gland PNA type N°1 Nickel chrome plated brass plug
Accessories available upon request	Drain/breather valve Traffolyte/Stainless steel certificate label Plug

Dimensions FSR



Receptacles - FSR

TYPE	CODE	COLOUR CODE	VOLTAGE [V]	CONTACT ARRANGEMNT	CURRENT [A]	ENTRIES	DIMENSIONS ENCLOSURE [mm]				
							A	B	C	D	E
FSR-2-20-24-50	B040311125113		24	2P	20	2XM25	122	120	200	106	82
FSR-3-20-110-50	B040311335113		110-130	1P+N+E	20	2XM25	122	120	200	106	82
FSR-3-20-230-50	B040311435113		220-250	1P+N+E	20	2XM25	122	102	200	106	82
FSR-4-20-400-50	B040321545113		380-440	3P+E	20	2XM25	160	160	200	140	110
FSR-5-20-400-50	B040321555113		380-440	3P+N+E	20	2XM25	160	160	200	140	110
FSR-2-32-24-50	B040332125113		24	2P	32	2XM32	225	250	245	235	200
FSR-3-32-110-50	B040332335113		110-130	1P+N+E	32	2XM32	225	250	245	235	200
FSR-3-32-230-50	B040332435113		220-250	1P+N+E	32	2XM32	255	250	245	235	200
FSR-4-32-400-50	B040332545113		380-440	3P+E	32	2XM32	225	250	245	235	200
FSR-5-32-400-50	B040332555113		380-440	3P+N+E	32	2XM32	225	250	245	235	200
FSR-2-63-24-50	B040333125113		24	2P	63	2XM50	225	250	245	235	200
FSR-3-63-110-50	B040333335113		110-130	1P+N+E	63	2XM50	225	250	245	235	200
FSR-3-63-230-50	B040333435113		220-250	1P+N+E	63	2XM50	225	250	245	235	200
FSR-4-63-400-50	B040333545113		380-440	3P+E	63	2XM50	225	250	245	235	200
FSR-5-63-400-50	B040333555113		380-440	3P+N+E	63	2XM50	225	250	245	235	200

* In case of maximum ambient temperature reach +40°C, temperature class changes into T6 (ordering code to be required)

PLUGS & SOCKET-OUTLETS

Plugs FPR



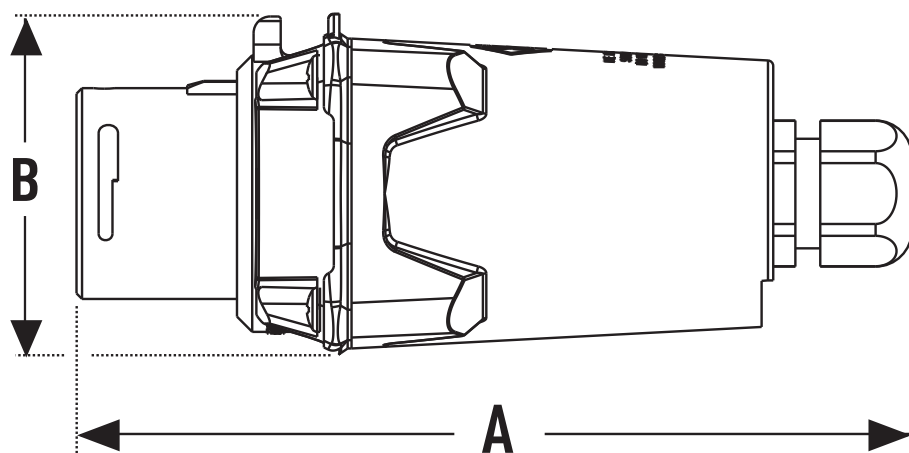
Plugs based on DXN technology, compatible with socket outlet & welding receptacles series: FSR, FSX, FSAL.

Made of self-extinguishing non-static glass reinforced polyester (PBT), DXN DECONTACTOR™ can withstand heavy duty, severe mechanical stress and presence chemical aggressive products .

TECHNICAL FEATURES

Material	GRP
IP rating	IP66
Ambient temperature range	-40°C to +60°C
Approvals	Certified 06ATEX0015 (standard) TR CU (marking upon request)
Marking	II 2 GD EEx ed IIC T(**) EEx tD A21 IP66 T(**) ** T6/T85°C, T5/T100°C
Frequency	50Hz
Connection terminals cross section flexible cores/rigid cores	For 20 A = 4 / 6 sqmm For 32 A = 10 / 16 sqmm For 63 A = 16 / 25 sqmm
Standard certificate label	Made by self adhesive UV and corrosion resistant polyester, approved by certified Laboratory.
Standard accessories	N°1 polyamide cable gland for unarmoured cable
Accessories available upon request	Metallic cable gland

Dimensions FPR



Plugs FPR

TYPE	CODE	COLOUR CODE	CABLE GLAND	VOLTAGE [V]	CONTACT ARRANGEMNT	CURRENT [A]	DIMENSIONS [mm]	
							A	B
FPR 2-20-24-50	B040401125113		M20 (8÷13)	24	2P	20	127	51
	B040401125123		M25 (13÷19)					
FPR 3-20-110-50	B040401335113		M20 (8÷13)	110-130	1P+N+E	20	127	51
	B040401335123		M25 (13÷19)					
FPR 3-20-230-50	B040401435113		M20 (8÷13)	220-250	1P+N+E	20	127	51
	B040401435123		M25 (13÷19)					
FPR 4-20-400-50	B040401545113		M20 (8÷13)	380-440	3P+E	20	127	51
	B040401545123		M25 (13÷19)					
FPR 5-20-400-50	B040401555113		M20 (8÷13)	380-440	3P+N+E	20	127	51
	B040401555123		M25 (13÷19)					
FPR 2-32-24-50	B040402125113		M20 (8÷13)	24	2P	32	128	68
	B040402125123		M25 (13÷19)					
	B040402125133		M32 (17÷25)					
FPR 3-32-110-50	B040402335113		M20 (8÷13)	110-130	1P+N+E	32	128	68
	B040402335123		M25 (13÷19)					
	B040402335133		M32 (17÷25)					
FPR 3-32-230-50	B040402435113		M20 (8÷13)	220-250	1P+N+E	32	128	68
	B040402435123		M25 (13÷19)					
	B040402435133		M32 (17÷25)					
FPR 4-32-400-50	B040402545113		M20 (8÷13)	380-440	3P+E	32	128	68
	B040402545123		M25 (13÷19)					
	B040402545133		M32 (17÷25)					
FPR 5-32-400-50	B040402555113		M20 (8÷13)	380-440	3P+N+E	32	128	68
	B040402555123		M25 (13÷19)					
	B040402555133		M32 (17÷25)					
FPR 2-63-24-50	B040403125123		M25 (13÷19)	24	2P	63	149	83
	B040403125133		M32 (17÷25)					
	B040403125143		M40 (24÷32)					
FPR 3-63-110-50	B040403335123		M25 (13÷19)	110-130	1P+N+E	63	149	83
	B040403335133		M32 (17÷25)					
	B040403335143		M40 (24÷32)					
FPR 3-63-230-50	B040403435123		M25 (13÷19)	220-250	1P+N+E	63	149	83
	B040403435133		M32 (17÷25)					
	B040403435143		M40 (24÷32)					
FPR 4-63-400-50	B040403545123		M25 (13÷19)	380-440	3P+E	63	149	83
	B040403545133		M32 (17÷25)					
	B040403545143		M40 (24÷32)					
FPR 5-63-400-50	B040403555123		M25 (13÷19)	380-440	3P+N+E	63	149	83
	B040403555133		M32 (17÷25)					
	B040403555143		M40 (24÷32)					

SOCKET-OUTLET COMBINATION BOXES MXBS



- Ex eb IIC, Ex tb IIIC
- Intrinsic safety capability
- IP66 Water-and dust-tight
- Casing : GRP , aluminium, stainless steel AISI316L
- Assembly of multi-contact connectors and socketoutlets on the same enclosure
- From -55°C to +60°C

TECHNICAL FEATURES

Material	Enclosure: GRP casing, aluminium, stainless steel AISI~316~L. Casing made of High performance Poly for DXN1,DXN3 and DXN6 decontactors and PNCX, SPeX connectors. Casing made of Metal for DXA1 DECONTACTOR™ and PXN12C, DXN25C and DXN37C multicontact connectors. Stainless steel screw.
IP/IK rating	IP66/IK09 according to IEC and EN 62 262
Ambient temperature range	-40°C to +60°C
Approvals	Certificates IECEX N° IECEX LCI 11.0042X and ATEX n° LCIE 11 ATEX 3047X
Marking	II 2 G Ex eb IIC T* Gb increased safety II 2 G Ex ia IIC T* Gb or II 2 G Ex ib IIC T* Gb increased safety II 2 G Ex eb ia or eb ib IIC T* Gb increased safety and intrinsic safety II 2 D Ex tb IIIC T* Db in dust
Maximum voltage*	1000VAC/DC
Maximum nominal current*	680 A
Flexible and stranded wiring (mini - maxi)*	0.22-400 mm ²
Associated MARECHAL® products	DECONTACTOR™ DXA1, DXN1, DXN3 and DXN6 Connectors PNCX and SPeX Multicontact connectors PXN12C, DXN25C and DXN37C
Standard certificate label	Made by self adhesive UV and corrosion resistant polyester, approved by certified Laboratory.
Standard accessories	M12 to M80 depending on the size of the box Polyamide cable gland for unarmoured cable. Nickel plated brass cable gland for unarmoured cable and armoured cable (with plate or washer bonding inside the box).
Accessories available upon request	Drain/breather valve Traffolyte/Stainless steel certificate label Plug

* Depending on the socket-outlet.

