

# INCREASED SAFETY - HARMATEX SERIES

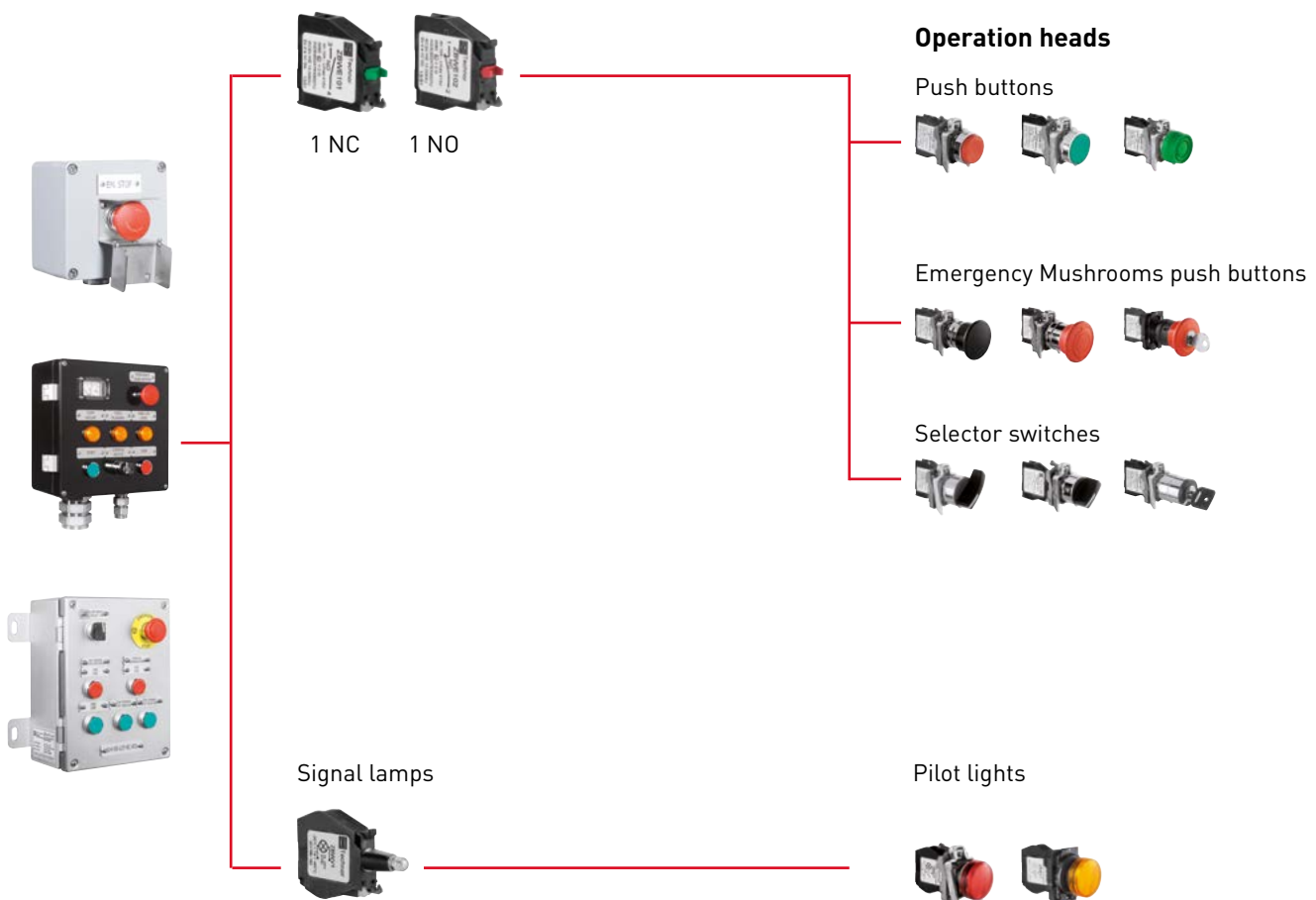
The Harmatex Series offers a large selection of contacts & operation heads suitable for Ex d enclosures:

- Momentary and push-push actuation modes;
- Standard and emergency push buttons;
- Selector switches;
- Pilot lights.

Unrivalled flexibility thanks to its modular design:

- Up to 6 contacts per operation head;
- Operating temperature: from -20°C up to +75°C

## HARMATEX SERIES – CONTACTS & OPERATION HEADS

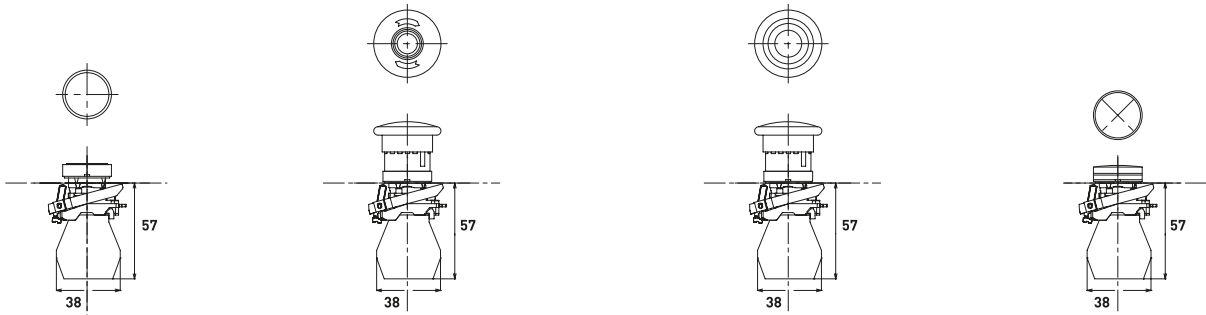


<b>Material</b>	Metal and plastic
<b>IP rating</b>	IP65/IP66
<b>Ambient temperature range</b>	-20°C TO 65°C -20°C TO 75°C
<b>Approvals</b>	Certified 02ATEX9007U (contact blocks) Certified 04ATEX9003U (pilot lamps) IECEX INE 13.0063U
<b>Marking</b>	II 2 GD Ex d e IIC Gb (contact blocks) Ex e mb IIC Gb (pilot lamps) Ex tb IIIC Db

# INCREASED SAFETY

## HARMATEX SERIES – CONTACTS & OPERATION HEADS

### Dimensions HARMATEX

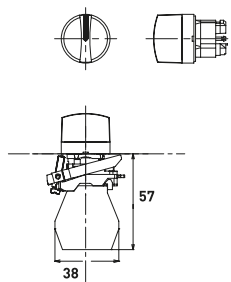


Pushbutton

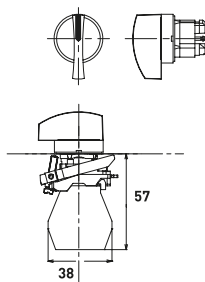
Mushroom Pushbutton  
Twist to release

Emergency Stop  
Mushroom Pushbutton

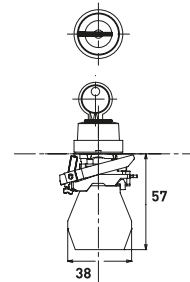
Pilot light



Selector switches  
with standard handle



Selector switches  
with long handle



Key selector switches

### Flush push buttons



TYPE	CODE	BEZEL	COLOUR	CONTACT
XBW4BA11 - MOMENTARY PUSH BUTTON	B090601040015	METAL	WHITE	1NO
XBW4BA21 - MOMENTARY PUSH BUTTON	B090601040016	METAL	BLACK	1NO
XBW4BA22 - MOMENTARY PUSH BUTTON	B090601040020	METAL	BLACK	1NC
XBW4BA31 - MOMENTARY PUSH BUTTON	B090601040012	METAL	GREEN	1NO
XBW4BA41 - MOMENTARY PUSH BUTTON	B090601040021	METAL	RED	1NO
XBW4BA42 - MOMENTARY PUSH BUTTON	B090601040017	METAL	RED	1NC
XBW4BA51 - MOMENTARY PUSH BUTTON	B090601040018	METAL	YELLOW	1NO
XBW4BA61 - MOMENTARY PUSH BUTTON	B090601040019	METAL	BLUE	1NO

### Projecting push buttons



TYPE	CODE	BEZEL	COLOUR	CONTACT
XBW4BL11 - MOMENTARY PUSH BUTTON	B090601040044	METAL	WHITE	1NO
XBW4BL21 - MOMENTARY PUSH BUTTON	B090601040031	METAL	BLACK	1NO
XBW4BL31 - MOMENTARY PUSH BUTTON	B090601040032	METAL	GREEN	1NO
XBW4BL42 - MOMENTARY PUSH BUTTON	B090601040033	METAL	RED	1NC
XBW4BL51 - MOMENTARY PUSH BUTTON	B090601040045	METAL	YELLOW	1NO
XBW4BL61 - MOMENTARY PUSH BUTTON	B090601040046	METAL	BLUE	1NO

## HARMATEX SERIES – CONTACTS & OPERATION HEADS

### Push buttons with silicone boot



TYPE	CODE	BEZEL	COLOUR	CONTACT
XBW4BP11S - MOMENTARY PUSH BUTTON	B090601040001	METAL	WHITE	1NO
XBW4BP21S - MOMENTARY PUSH BUTTON	B090601040002	METAL	BLACK	1NO
XBW4BP31S - MOMENTARY PUSH BUTTON	B090601040003	METAL	GREEN	1NO
XBW4BP42S - MOMENTARY PUSH BUTTON	B090601040011	METAL	RED	1NC
XBW4BP51S - MOMENTARY PUSH BUTTON	B090601040047	METAL	YELLOW	1NO
XBW4BP61S - MOMENTARY PUSH BUTTON	B090601040048	METAL	BLUE	1NO



XBW5AP11S - MOMENTARY PUSH BUTTON	B090601040004	PLASTIC	WHITE	1NO
XBW5AP21S - MOMENTARY PUSH BUTTON	B090601040005	PLASTIC	BLACK	1NO
XBW5AP31S - MOMENTARY PUSH BUTTON	B090601040006	PLASTIC	GREEN	1NO
XBW5AP42S - MOMENTARY PUSH BUTTON	B090601040007	PLASTIC	RED	1NC
XBW5AP51S - MOMENTARY PUSH BUTTON	B090601040009	PLASTIC	YELLOW	1NO
XBW5AP61S - MOMENTARY PUSH BUTTON	B090601040008	PLASTIC	BLUE	1NO

### Stop mushroom push button



TYPE	CODE	BEZEL	COLOUR	CONTACT
XBW4BC21 - MOMENTARY MUSHROOM	B090601040042	METAL	BLACK	1NO
XBW4BC31 - MOMENTARY MUSHROOM	B090601040034	METAL	GREEN	1NO
XBW4BC42 - MOMENTARY MUSHROOM	B090601040010	METAL	RED	1NC
XBW4BC51 - MOMENTARY MUSHROOM	B090601040043	METAL	YELLOW	1NO
XBW4BC61 - MOMENTARY MUSHROOM	B090601040052	METAL	BLUE	1NO

XBW5AC21 - MOMENTARY MUSHROOM	B090601040038	PLASTIC	BLACK	1NO
XBW5AC31 - MOMENTARY MUSHROOM	B090601040039	PLASTIC	GREEN	1NO
XBW5AC42 - MOMENTARY MUSHROOM	B090601040036	PLASTIC	RED	1NC
XBW5AC51 - MOMENTARY MUSHROOM	B090601040040	PLASTIC	YELLOW	1NO
XBW5AC61 - MOMENTARY MUSHROOM	B090601040041	PLASTIC	BLUE	1NO

### Emergency stop mushroom push buttons



TYPE	CODE	BEZEL	CONTACT
XBW4BS9442 - MUSHROOM TWIST T.R. WITH KEY	B090601040035	METAL	1NC
XBW4BS8442 - MUSHROOM TWIST T.R.	B090601040010	METAL	1NC



XBW5AS142 - MUSHROOM TWIST T.R. WITH KEY	B090601040050	PLASTIC	1NC
XBW5AS542 - MUSHROOM TWIST T.R.	B090601040049	PLASTIC	1NC

## HARMATEX SERIES – CONTACTS & OPERATION HEAD

### Pilot lights 24V to 254V AC/DC (current from 2 to 10mA)



TYPE	CODE	BEZEL	COLOUR
XLW4BV013 - PILOT LIGHT	B090602040001	METAL	WHITE
XLW4BV033 - PILOT LIGHT	B090602040004	METAL	GREEN
XLW4BV043 - PILOT LIGHT	B090602040003	METAL	RED
XLW4BV053 - PILOT LIGHT	B090602040005	METAL	YELLOW
XLW4BV063 - PILOT LIGHT	B090602040006	METAL	BLUE



XLW5AV013 - PILOT LIGHT	B090602040007	PLASTIC	WHITE
XLW5AV033 - PILOT LIGHT	B090602040008	PLASTIC	GREEN
XLW5AV043 - PILOT LIGHT	B090602040009	PLASTIC	RED
XLW5AV053 - PILOT LIGHT	B090602040002	PLASTIC	YELLOW
XLW5AV063 - PILOT LIGHT	B090602040012	PLASTIC	BLUE

### Selector switches with standard handle



TYPE	CODE	BEZEL	POSITIONS	CONTACT
XBW4BD21 - STAY PUT	B090603040003	METAL	2	1NO
XBW4BD41 - SPRING RETURN	B090603040007	METAL	2	1NO
XBW4BD33 - STAY PUT	B090603040006	METAL	3	1NO+1NO
XBW4BD53 - SPRING RETURN TO CENTER	B090603040008	METAL	3	1NO+1NO
XBW4BD73 - SPRING RETURN FROM LEFT	B090601040009	METAL	3	1NO+1NO
XBW4BD83 - SPRING RETURN FROM RIGHT	B090603040030	METAL	3	1NO+1NO

XBW5AD21 - STAY PUT	B090603040027	PLASTIC	2	1NO
XBW5AD41 - SPRING RETURN	B090601040036	PLASTIC	2	1NO
XBW5AD33 - STAY PUT	B090603040002	PLASTIC	3	1NO+1NO
XBW5AD53 - SPRING RETURN TO CENTER	B090603040022	PLASTIC	3	1NO+1NO
XBW5AD73 - SPRING RETURN FROM LEFT	B090603040009	PLASTIC	3	1NO+1NO
XBW5AD83 - SPRING RETURN FROM RIGHT	B090601040037	PLASTIC	3	1NO+1NO

### Selector switches with long handle



TYPE	CODE	BEZEL	POSITIONS	CONTACT
XBW4BJ21 - STAY PUT	B090603040017	METAL	2	1NO
XBW4BJ41 - SPRING RETURN	B090603040019	METAL	2	1NO
XBW4BJ33 - STAY PUT	B090603040018	METAL	3	1NO+1NO
XBW4BJ53 - SPRING RETURN TO CENTER	B090603040020	METAL	3	1NO+1NO
XBW4BJ73 - SPRING RETURN FROM LEFT	B090601040035	METAL	3	1NO+1NO
XBW4BJ83 - SPRING RETURN FROM RIGHT	B090603040031	METAL	3	1NO+1NO



## Key selector switches

TYPE	CODE	BEZEL	POSITIONS	KEY WITHDRAWAL	CONTACT
XBW4BG21 - STAY PUT	B090603040012	METAL	2	LEFT	1NO
XBW4BG41 - STAY PUT	B090603040014	METAL	2	LEFT - RIGHT	1NO
XBW4BG61 - SPRING RETURN FROM RIGHT	B090603040016	METAL	2	LEFT	1NO
XBW4BG03 - STAY PUT	B090603040010	METAL	3	LEFT - 0 - RIGHT	1NO+1NO
XBW4BG33 - STAY PUT	B090603040013	METAL	3	0	1NO+1NO
XBW4BG53 - STAY PUT	UPON REQUEST	METAL	3	LEFT - RIGHT	1NO+1NO
XBW4BG93 - STAY PUT	UPON REQUEST	METAL	3	LEFT	1NO+1NO
XBW4BG093 - STAY PUT	UPON REQUEST	METAL	3	RIGHT	1NO+1NO
XBW4BG13 - SPRING RETURN FROM LEFT	B090603040011	METAL	3	0	1NO+1NO
XBW4BG73 - SPRING RETURN TO CENTER	B090601040034	METAL	3	0	1NO+1NO
XBW4BG83 - SPRING RETURN FROM RIGHT	B090603040015	METAL	3	0	1NO+1NO
XBW4BG083 - SPRING RETURN FROM RIGHT	B090601040033	METAL	3	LEFT	1NO+1NO

## Contacts

TYPE	CODE	CONTACT
ZBWE101 - NORMALLY OPEN CONTACT	B090601040030	NO
ZBWE102 - NORMALLY CLOSE CONTACT	B090601040029	NC



## Signal lamps

TYPE	CODE
ZBWW1 SPARE PILOT LIGHT BODY WHITE, RED, YELLOW, BLUE	B090602040010
ZBWW3 SPARE PILOT LIGHT BODY FOR GREEN	B090602040011



## Rated operational characteristics

ITH MAX. 10A	AC-15		DC-13		Ui max. (V)
	Ue (V)	Ie max. (A)	Ue (V)	Ie max. (A)	
	120	6	24	2,87	415
	240	3	125	0,55	
	380	1,9	250	0,27	