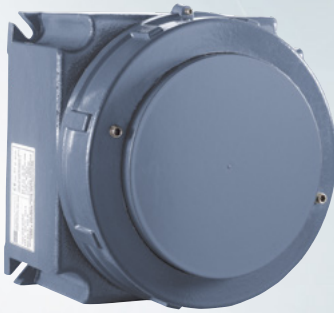


FLAMEPROOF ENCLOSURES

GUB../QL Series - Copper-free aluminium or Stainless Steel AISI 316 L



GUB.. series enclosures offers Ex d IIC mode of protection and can be equipped with following components:

- Push buttons and mechanical operators PL.. Series;
- Rotating switches PSRC Series;
- Signalling lamps PL.. Series;
- Potentiometers;
- Rotating handles SRC-1 or SRC-10;
- Measurement instruments;
- Electric and electronic equipment;

They can be used in different applications such as push button stations, instrument housing, lighting distribution panels, power distribution panels, heat tracing panels, motor protection, etc.

MARKING

Full conformity certificate

II 2G Ex db IIC T6/T5/T4 or
 II 2G Ex db ia/ib IIC T6/T5/T4 Gb and/or
 II 2D Ex tb IIIC T85°C/ T100°C/T135°C Db
 II 2D Ex tb ia/ib IIIC T85°C/ T100°C/T135°C Db

Component Certificate

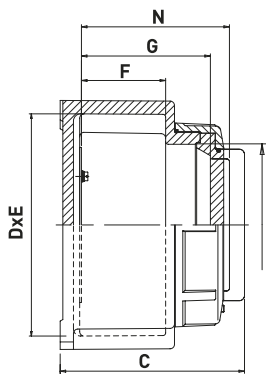
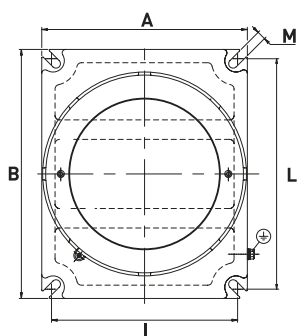
II 2G Ex db IIC Gb and/or
 II 2D Ex tb IIIC Db IP66 or
 I M2 Ex db I Mb

TECHNICAL FEATURES

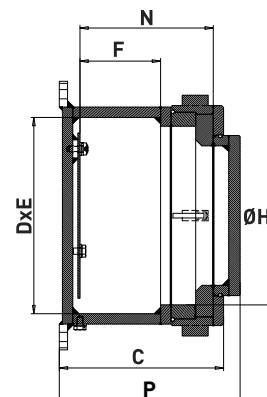
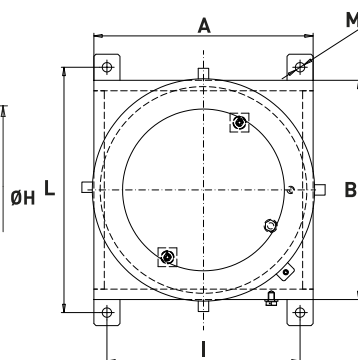
Material	Copper-free aluminium Stainless steel AISI 316 L (different sizes than the standard indicated)	
IP rating	IP66	
Ambient temperature range	-60°C to +60°C	
Approvals	<u>Full conformity certificate:</u> INERIS 22 ATEX 0008X IECEx INE 22.0012X EAC: KG417-039.IT.02.06570 ECAS available	<u>Component certificate:</u> INERIS 22 ATEX 9002U IECEx INE 22.0010U EAC: KG417-039.IT.02.06570
Other marking	II 2(1) G Ex db [ia Ga] IIC T6 Gb and/or II 2(2) G Ex db [ib] IIC T6 Gb and/or II 2(1) G Ex db ia/ib [ia Ga] IIC T6 Gb and/or II 2(2) G Ex db ia/ib [ib] IIC T6 Gb and/or II 2(1) D Ex tb [ia Da] IIIC T85°C Db II 2(2) D Ex tb [ib] IIIC T85°C Db II 2(1) D Ex tb ia/ib [ia Da] IIIC T85°C Db II 2(2) D Ex tb ia/ib [ib] IIIC T85°C Db	<u>Only for AISI 316L</u> I M2 Ex db I Mb I M2 Ex db ia/ib I Mb I M2(M1) Ex db [ia Ma] I Mb I M2(M2) Ex db [ib] I Mb I M2(M1) Ex db ia/ib [ia Ma] I Mb I M2(M2) Ex db ia/ib [ib] I Mb
Surface treatment	Painted by polyurethane painting: Blue RAL5014 (other colours on request) painting cycle C4 suitable for On-Shore External environment: Industrial areas and coastal areas with moderate salinity Internal environment: Chemical plants, swimming pools, coastal plants and shipyards The Reference standard is UNI EN ISO 12944-1:2018	
Entries	Metric pitch 1.5, ANSI B1.20.1 NPT	
Standard certificate label	Made by self adhesive UV and corrosion resistant polyester, approved by certified Laboratory.	
Optional accessories	Drain/breather valve Internal anticondensate painting Laminated plastic/Stainless steel certificate label	

Dimensions GUB../QL

Copper-free aluminium



Stainless steel



GUB../QL Series - Copper-free aluminium

CODE	TYPE	DIMENSIONS [mm]											WEIGHT [Kg]	MOUNTING PLATES Ø [MM]	COVER ENTRIES	
		A	B	C	D	E	F	G	ØH	FIXING		ØM				N
										I	L					
B012024010014	GUB-QL 02	190	190	179	160	160	64	114	144	170	170	8	143	4,7	140	3
B012024010015	GUB-QL 03	210	210	174	180	180	78	129	167	179	179	8	140	6	160	4
B012024010016	GUB-QL 06	330	295	236	259	295	140	195,5	242	270	305	10,5	194	15,8	235	10
B012024010019	GUB-QL 07	545	545	363	490	490	197	285	457	475	475	14,5	293	81,5	440	35

For complete junction boxes, ask to the Sales Dept.

GUB../QL Series - Stainless steel

CODE	TYPE	DIMENSIONS [mm]											WEIGHT [Kg]	MOUNTING PLATES Ø [MM]	COVER ENTRIES	
		A	B	C	D	E	F	G	ØH	FIXING		ØM				N
										I	L					
B012023010002	GUB-QL 03	210	210	175	190	190	80	129	173	185	235	9	144	20	160	4
B012023010001	GUB-QL 06	295	330	236	310	275	151	210	257	305	320	9	194	43	235	10
B012023010003	GUB-QL 07	545	545	363	515	515	205	290	443	595	495	16	293	169	440	35

For complete junction boxes, ask to the Sales Dept.