

# FLAMEPROOF ENCLOSURES

## GUB/EMH.. Series with window - Copper-free aluminium or Stainless Steel AISI 316 L



GUB/EMH.. series enclosures offers Ex dB IIC mode of protection and is equipped with window made of tempered glass for electrical equipment which requires a direct reading from the outside. And with following components:

- Measurement instruments;
- Electric and electronic equipment;

They can be used for instrument housing.

### MARKING

#### Full conformity certificate

II 2G Ex db IIC T6/T5/T4 or  
 II 2G Ex db ia/ib IIC T6/T5/T4 Gb and/or  
 II 2D Ex tb IIIC T85°C/ T100°C/T135°C Db  
 II 2D Ex tb ia/ib IIIC T85°C/ T100°C/T135°C Db

#### Component Certificate

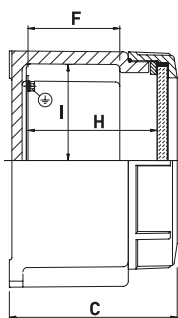
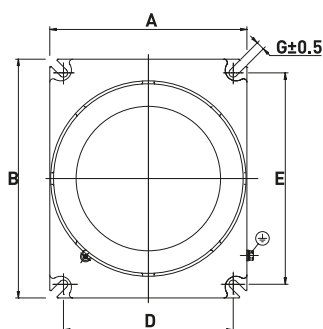
II 2G Ex db IIC Gb and/or  
 II 2D Ex tb IIIC Db IP66 or  
 I M2 Ex db I Mb

## TECHNICAL FEATURES

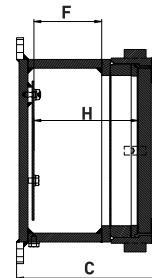
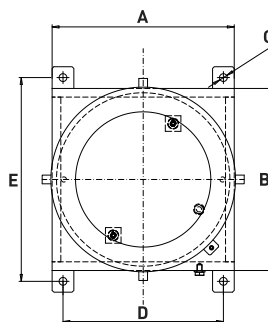
<b>Material</b>	Copper-free aluminium Stainless steel AISI 316 L (different sizes than the standard indicated)	
<b>IP rating</b>	IP66	
<b>Ambient temperature range</b>	-55°C to +80°C (ATEX) -55°C to +80°C (IECEX)	
<b>Approvals</b>	<u>Full conformity certificate:</u> INERIS 22 ATEX 0008X IECEX INE 22.0012X EAC: KG417-039.IT.02.06570 ECAS available KC: 19-KA4BO-0385X;19-KA4BO-0386X	<u>Component certificate:</u> INERIS 22 ATEX 9002U IECEX INE 22.0010U EAC: KG417-039.IT.02.06570
<b>Other marking</b>	II 2(1) G Ex db [ia Ga] IIC T6 Gb and/or II 2(2) G Ex db [ib] IIC T6 Gb and/or II 2(1) G Ex db ia/ib [ia Ga] IIC T6 Gb and/or II 2(2) G Ex db ia/ib [ib] IIC T6 Gb and/or II 2(1) D Ex tb [ia Da] IIIC T85°C Db II 2(2) D Ex tb [ib] IIIC T85°C Db II 2(1) D Ex tb ia/ib [ia Da] IIIC T85°C Db II 2(2) D Ex tb ia/ib [ib] IIIC T85°C Db	<u>Only for AISI316L</u> I M2 Ex db I Mb I M2 Ex db ia/ib I Mb I M2(M1) Ex db [ia Ma] I Mb I M2(M2) Ex db [ib] I Mb I M2(M1) Ex db ia/ib [ia Ma] I Mb I M2(M2) Ex db ia/ib [ib] I Mb
<b>Surface treatment</b>	Painted by polyurethane painting: Blue RAL5014 ( other colours on request) painting cycle C4 suitable for On-Shore; External environment: Industrial areas and coastal areas with moderate salinity Internal environment: Chemical plants, swimming pools, coastal plants and shipyards The Reference standard is UNI EN ISO 12944-1:2018	
<b>Entries</b>	Metric pitch 1.5, ANSI B1.20.1 NPT	
<b>Standard certificate label</b>	Made by self adhesive UV and corrosion resistant polyester, approved by certified Laboratory	
<b>Optional accessories</b>	Drain/breather valve Internal anticondensate painting Laminated plastic/Stainless steel certificate label	

## Dimensions GUB/EMH

### Copper-free aluminium



### Stainless steel



### GUB/EMH.. Series - Copper-free aluminium

CODE	TYPE	DIMENSIONS [mm]								WINDOW Ø [MM]	WEIGHT [KG]	MOUNTING PLATES Ø [MM]
		A	B	C	FIXING		F	ØG	H			
					D	E						
B016084010003	EMH-160	210	210	160	180	180	78	8	115	155	6.00	160
B016084010005	EMH-175	281	232	185	202	251	97	8	141	170	8.90	174
B016084010006	EMH-200	298	257	200	227	268	106	8	150	195	11.90	200
B016084010009	EMH-230	329	293	236	259	295	140	10	189	230	15.80	235

For complete junction boxes, ask to the Sales Dept.

### GUB/EMH.. Series - Stainless steel

CODE	TYPE	DIMENSIONS [mm]								WINDOW Ø [MM]	WEIGHT [KG]	MOUNTING PLATES Ø [MM]
		A	B	C	FIXING		F	ØG	H			
					D	E						
B016083010002	EMH-160	210	210	166	185	235	80	9	115	156	17.00	160