

## LED LIGHTING

# EVF-P LED.. Series - Zones 1, 2, 21 & 22 - End-cups in Copper free aluminium



EVF-P lighting fixtures are manufactured with an high resistance cylindrical polycarbonate lamp housing and with end cups made of corrosion resistant copper free aluminium. Polycarbonate lamp housing is a three layers-extrusion UV resistant able to grant the best protection against sun rays and related yellowing effect.

Circular shape grants the best possible "CX" factor, therefore it is less affected by wind-dusts, no flat surfaces to avoid pollution and dirty bunching.

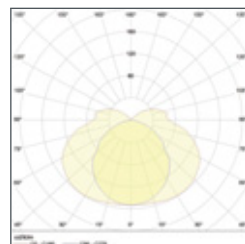
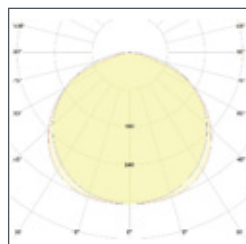
Components and design make EVF-P lighting fixtures suitable for high corrosion environments.

To increase further surface protection, upon request it is possible to apply an OFF-SHORE painting cycle suitable for marine environments.

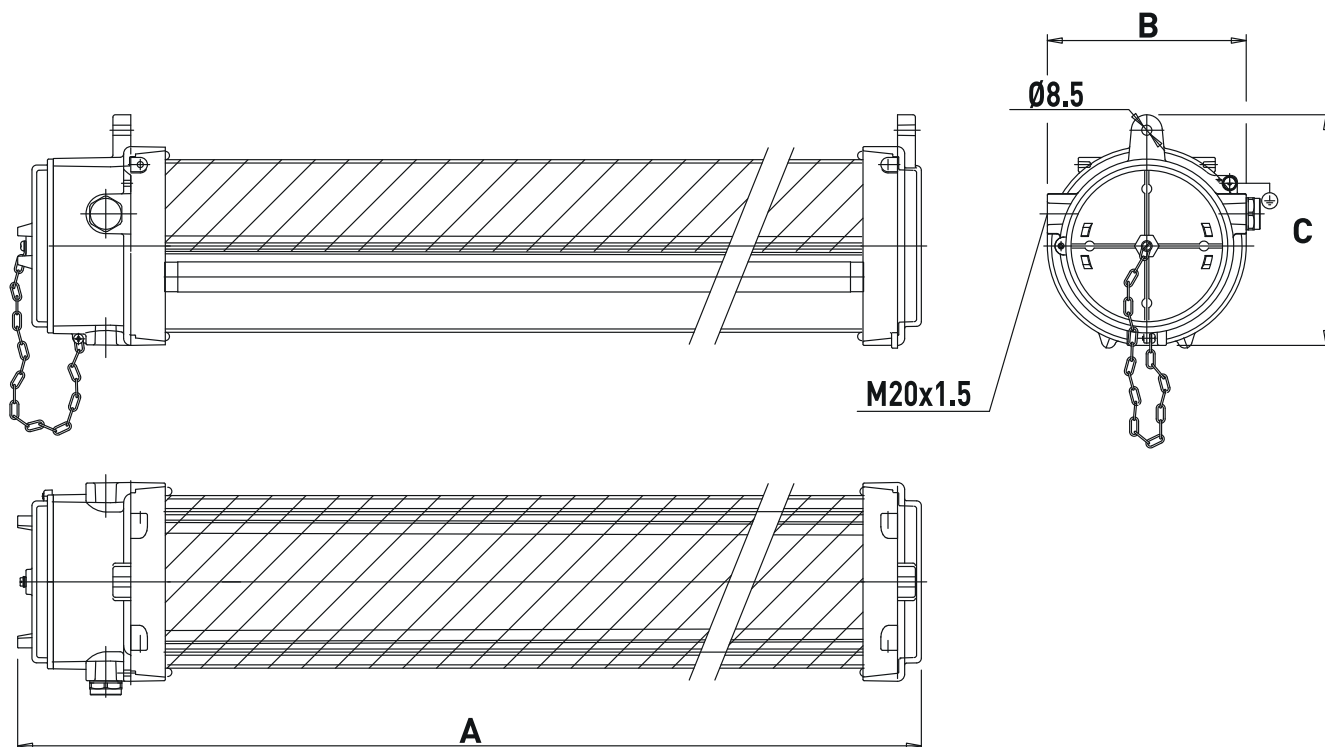
All lighting fixtures are supplied ready for LOOP IN-LOOP OUT facility with 4sqmm cable.

## TECHNICAL FEATURES

<b>Material</b>	End cups in aluminium with low content of copper/Light housing in polycarbonate
<b>IP/IK rating</b>	IP66/IK10 according to EN 62262:2002
<b>Ambient temperature range</b>	-20°C to + 55°C (Normal service) -20°C to + 40°C (Emergency service)
<b>Approvals</b>	TÜV CY 17 ATEX 0205846 X
<b>Marking</b>	II 2 GD Ex eb mb op is IIC T4 Gb (normal service) Ex eb db mb op is IIC T4 Gb (emergency service) Ex tb IIIC T135°C Db IP66
<b>Gaskets</b>	O-ring made of Nitrile Rubber (NBR)
<b>Surface treatment</b>	End cups painted by green colour polyurethane painting cycle RAL6003 (other colour available upon request)
<b>Entries</b>	N° 2 entries M20x1,5. One plugged-off by Ex d brass nickel chrome plated plug and relevant gasket.
<b>Included accessories</b>	AISI304 Stainless steel external hardware and screws
<b>Lamps</b>	Extended long life new LED technology with CRI > 85
<b>Ballast</b>	Electronic
<b>Rated operation voltage (UE)</b>	220-240Vac (normal and emergency service) 198-278Vdc (normal service)
<b>Frequency</b>	0/50 – 60 Hz
<b>Power factor</b>	> 0,95
<b>Optional accessories</b>	AISI304 Pole mounting kit/AISI304 Ceiling/Wall mounting kit/AISI304 Suspension mounting kit/3° bottom entry M20x1,5/AISI304 protection guard/Mounting kit in stainless steel AISI316
<b>Photometric light curves</b>	1 strip                      2 strips



Dimensions EVF-P



LED EVF-P.. Series for normal service

TYPE	CODE	LAMP [W]	DIMENSIONS [mm]			WEIGHT [Kg]
			A	B	C	
EVF-P 116	A030311160011	16	764	176	194	
EVF-P 216	A030312160011	2 X 16	764	176	194	
EVF-P 132	A030311320011	32	1374	176	194	
EVF-P 232	A030312320011	2 X 32	1374	176	194	

LED EVF-P.. Series for 90' emergency service

TYPE	CODE	LAMP [W]	DIMENSIONS [mm]			WEIGHT [Kg]
			A	B	C	
EVF-P 132 LE P 90	A030321320111*	32	1374	176	194	
EVF-P 232 LE P 90	A030322320111*	2 X 32	1374	176	194	
EVF-P 116 LE NP 90	A030321161111	16	764	176	194	
EVF-P 132 LE NP 90	A030321321111*	32	1374	176	194	

\* 180' emergency version available upon request