

LED HAND LAMP

EVA LED – Copper-free aluminium



- Portable lights provided with insulated handle to assure safety working conditions for operators.
- Made of copper-free aluminium and suitable for LED lamp.
- Possibility to install a protection guard.

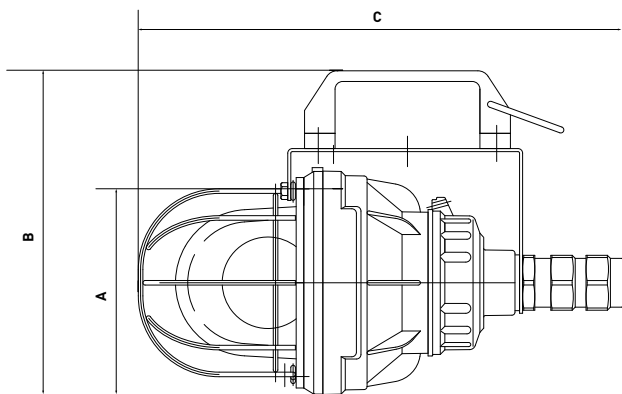
MARKING

II 2G Ex db IIC T5/T4 Gb
II 2D Ex tb IIIC T100/T135°C Db

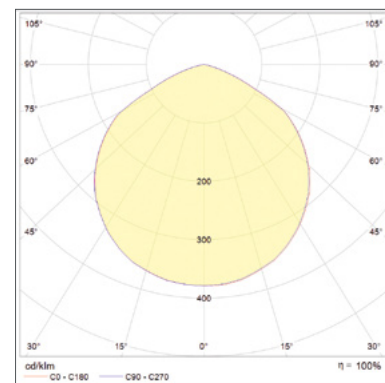
TECHNICAL FEATURES

Material	Copper-free aluminium and tempered glass
IP rating	IP66
Ambient temperature range	-60°C to +60°C
Approvals	ATEX 01ATEX0019X - IECEx INE 15.0031X TR CU RA RU BH02 616
Zones	Gas Zone: 1, 2 Dust Zone: 21, 22
Rated voltage	220 -240 VAC
Frequency	50/60 Hz
Colour rendering index	80 CRI
Colour temperature	4.000 K
Power factor	$\cos \varphi \geq 0,85$
Driver	Integrated
LED Lifetime (L70) Ta+25°C	25.000 h -according to IES LM-80-08
Hardware and screws	AISI316L stainless steel
Coating	Painted by polyuretane painting: RAL5014 painting cycle C4 suitable for On-Shore The reference standard is UNI EN ISO 12944 - 1: 2018 Upon request other colours and painting cycles
Entries	N° 1 entry M25x1,5 complete with brass nickel chrome plated cable gland PAB-AX type
Through wiring	Loop-in / Loop-out possibility
Accessories upon request	Protection guard Cable gland kit in brass nickel chrome or AISI316L stainless steel

Dimensions EVA



Photometric light curves



EVA LED – Hand lamp

CODE	TYPE	POWER [W]	LUMEN [lm]	LUM. EFF [lm/W]	DIMENSION [mm]			WEIGHT [kg]
					A	B	C	
A030160710001	EVA-1/LED	6	540	90	123	212	312	2,90

Optional: with portable transformer unit

