

VISUAL SIGNAL

EV../WA.. series - LIOL (Low intensity obstruction lighting) - Copper free aluminium

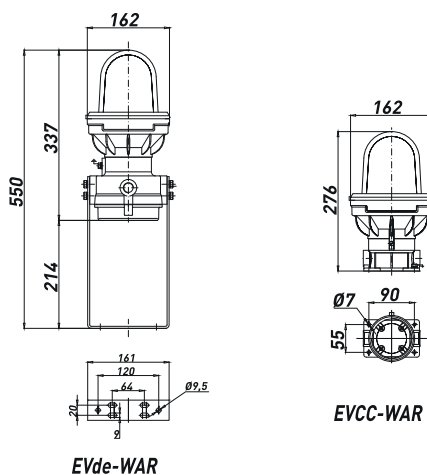


Range of low intensity aircraft warning lights, for structures below 45mt.

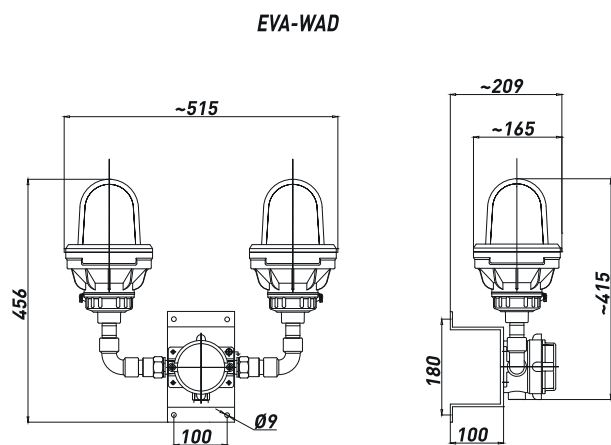
TECHNICAL FEATURES

Material	Aluminium with low content of copper
IP rating	IP66
Ambient temperature range	-52°C to +60°C
Approvals	Certified 01ATEX0019X TR CU (marking upon request) IECEX INE 15.0031X
Marking	II 2 GD Ex d IIC T(**) Gb for all EV.. Ex de IIC T(**) Gb for all Evde.. Ex tb IIIC T(**) Db IP66 ** T5/T100°C, T4/T135°C
Gaskets	O-ring made of Nitrile Rubber (NBR)
Surface treatment	Green colour polyurethane painting cycle RAL6003 (other colour available upon request)
Entries	N° 2 entries M25x1,5 (EVde and EVCC version) N° 1 entry M25x1,5 (EVA version) (plugs and cable glands excluded)
Included accessories	AISI304 Stainless steel external hardware and screws
Lamps	Included
Colour	Red (other colours available upon request)
Rated operation voltage (UE)	230V (standard) 24V, 110V, 90-264V (available upon request)
Frequency (AC version)	50/60Hz

Dimensioni EVde/EVCC (WAR)



Dimensioni EVA (WAD)



EV../WA.. Series Aircraft warning lights

TYPE	CODE	LAMP [W]	LAMP. TYPE	WEIGHT [Kg]	TEMP. CLASS
EVCC-WAR LED 6	A04D221A61G1D	6	LED - SINGLE	2.50	T4*
EVDE-WAR LED 6	A04D121A61G1D	6	LED - SINGLE	3.50	T4*
EVA-WAD LED 6	A04G321A61G1D	2X6	LED - DOUBLE	5.80	T4*

* In case of maximum ambient temperature reaches +40°C, temperature class changes into T5 (ordering code to be required)