

SPARES & ACCESSORIES

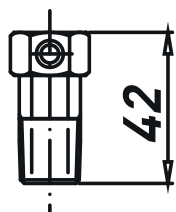
Wall mounting brackets

CODE	TYPE
B0A0100020000	MOUNTING BRACKETS FOR EJB-2 + SCREWS (STF-2)
B0A0100021000	MOUNTING BRACKETS FOR EJB-3 + SCREWS (STF-3)
B0A0100022000	MOUNTING BRACKETS FOR EJB-4/5 + SCREWS (STF-4/5)
B0A0100023000	MOUNTING BRACKETS FOR EJB-6 + SCREWS (STF-6)
B0A0100024000	MOUNTING BRACKETS FOR EJB-8 + SCREWS (STF-8)
B0A0100025000	MOUNTING BRACKETS FOR EJB-9 + SCREWS (STF-9)
B0A0100026000	MOUNTING BRACKETS FOR EJB-10 + SCREWS (STF-10)
B0A0100027000	MOUNTING BRACKETS FOR EJB-11 + SCREWS (STF-11)
B0A0100028000	MOUNTING BRACKETS FOR EJB-12 + SCREWS (STF-12)
B0A0100029000	MOUNTING BRACKETS FOR EJB-13 + SCREWS (STF-13)

Available upon request AISI 316 L made version

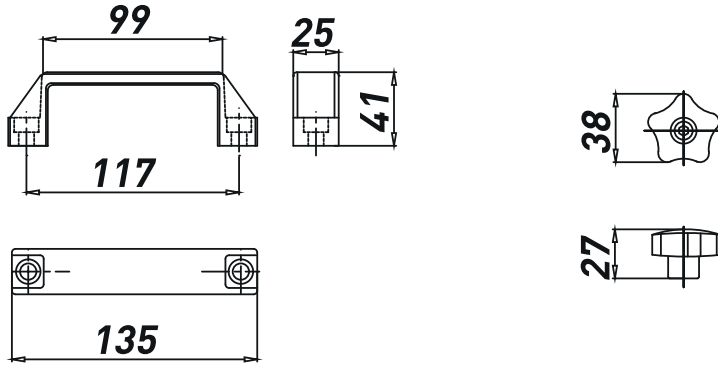
Drain/Breather valve

CODE	TYPE
C010200051000	ECR 1 VALVE



Door handles

CODE	TYPE
B0A0100049000	HANDLE FOR EJB (FROM 7 TO 13A) + SCREWS
B0A0100048000	KNOB FOR EJB (UP TO 6) + SCREWS

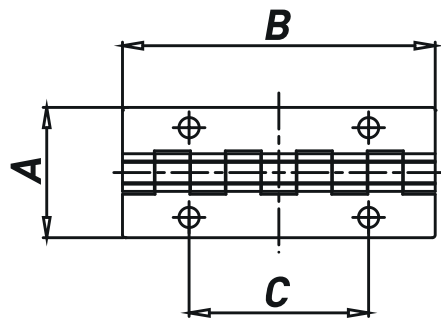


Hinges (for aluminium EJB Series)

CODE	TYPE
B0A0100081000	AISI 316 L HINGES 56X38MM + SCREWS
B0A0100043000	AISI 316 L HINGES 60X45MM + SCREWS
B0A0100045000	AISI 316 L HINGES 108X45MM + SCREWS

Selection table

HINGES L=56X38MM	HINGES L=60X45MM	HINGES L=108X45MM
EJB-2	EJB-6	EJB-12
EJB-3	EJB-8	EJB-13
EJB-3A	EJB-9	EJB-13A
EJB-4	EJB-10	
EJB-5	EJB-11	



Windows

The windows may have square, rectangular, circular shape with following dimensions:

- Square shape: side dimension from 40 to 400mm
- Rectangular shape: long side dimension from 70 to 400mm; short side dimension from 40 to 200mm
- Circular shape: diameter from 70 to 250mm

As standard sizes we propose:

- Rectangular shape type B; 40mm x 70mm
- Rectangular shape type C; 40mm x 200mm
- Rectangular shape type D; 100mm x 270mm
- Rectangular shape type E; 175mm x 380mm
- Circular shape \varnothing 70mm, 85mm, 100mm, 120mm, 150mm, 170mm, 190mm, 230mm

Under IECEx certification, only some windows are available.

Please contact our Sales Office for more information.