

LOCAL CONTROL STATIONS

EFE Series - Glassfiber reinforced polyester



Control stations EFE Series, made of GRP, are manufactured by using enclosures AQ/AR Series. They are designed to meet the requirements for use ON and OFF-SHORE, in petrochemical and marine applications and for any other industry where an explosive atmosphere may be present. They can be equipped with following Ex de certified components:

- Standard and emergency push buttons;
- Rotating switches;
- Signalling lamps;
- Measurement instruments.

MARKING

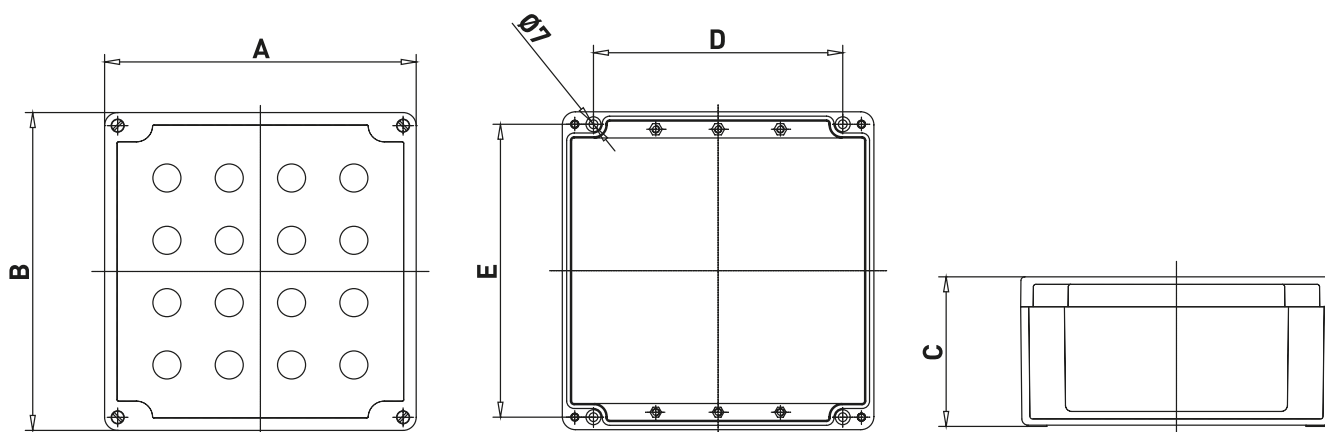
II 1 G
Ex ia IIC/IIB T6/T5/T4 Ga
II 2 GD
Ex db eb ia/ib mb [*] IIC/IIB T6/T5/T4 Gb and/or
Ex tb IIIC T85/T100/T135°C Db

*Associated equipment protection depending on the components actually mounted

TECHNICAL FEATURES

Material	GRP (Glassfiber reinforced polyester)
IP rating	IP65*/IP66 *Depending on the type of components installed on
Shock resistance	7J
Ambient temperature range	-50°C to +95°C
Approvals	Full Conformity Certificate: FIDI 21ATEX 0090X IECEX FIDI21.0015X EAC KG-417039.IT.02.06533 ECAS-Ex Available
Additional approval	EA3C RU C-IT.BH02.B.00593/20 CCOE P482696/1; P471583/1 (for more info ask to the Sales Offices)
Standard certificate label	Made by self adhesive UV and corrosion resistant polyester, approved by certified Laboratory.
Included accessories	Screw in AISI304 AISI316L upon request
Optional accessories	Hinges Drain/breather valve Laminated plastic/Stainless steel certificate label Internal mounting plate Earth continuity plates Internal/external through earth bolt
Available version	Standard version: up to internal tempertaure of 105°C HT version: up to internal temperature of 130°C

Dimensions EFE



EFE Series - GRP push button stations

TYPE	DIMENSIONS [mm]					WEIGHT [Kg]	MOUNTING PLATES [MM]	COVER ENTRIES (OPERATORS)
	A	B	C	FIXING				
				D	E			
EFE-121209*	122	120	90	82	106	0,75	100X100	1
EFE-122209*	120	220	90	82	204	1,06	100X195	3
EFE-161609*	160	160	90	110	140	1,29	130X130	4
EFE-162609*	160	260	90	110	240	1,71	130X240	8
EFE-163609*	160	360	90	110	340	2,15	130X340	12
EFE-252612*	250	255	120	200	235	2,65	210X232	12
EFE-252616*	250	255	160	200	235	2,85	210X232	12
EFE-254012*	250	400	120	200	380	3,65	210X380	21
EFE-254016*	250	400	160	200	380	3,85	210X380	21
EFE-256012*	250	600	120	200	580	5,23	210X580	33
EFE-414012*	405	400	120	355	380	5,58	360X375	35

*HT version upon request

EFE Series - GPR push buttons stations only HT version

TYPE	DIMENSIONS [mm]					WEIGHT [Kg]	MOUNTING PLATES [MM]	COVER ENTRIES (OPERATORS)
	A	B	C	FIXING				
				D	E			
EFE-363609-HT	360	360	90	310	340	4,1	320X340	30
EFE-414020-HT	405	400	201	355	380	8,88	360X375	35
EFE-202017-HT**	200	200	165	175	175	2,00	170X180	4
EFE-203017-HT**	200	300	165	175	275	2,22	170X265	12
EFE-304020-HT**	300	400	195	220	300	4,00	250X370	21
EFE-406025-HT**	400	600	252	320	500	7,37	345X565	42

**Version with hinged lead and 1/4 closing system turned key
For complete push button stations contact our Sales Dept.