

# COMPACT FLAMEPROOF ENCLOSURES

## CPS../EMH.. Series with window - Copper-free aluminium



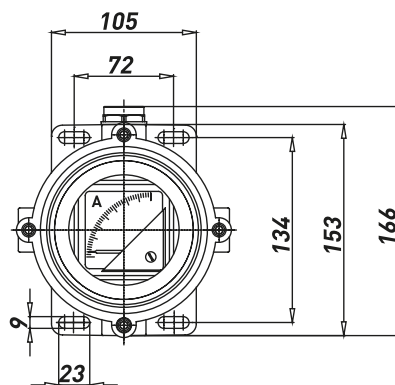
CPS/EMH.. series enclosures offers Ex dB IIC mode of protection and is equipped with window made of tempered glass for electrical equipment which requires a direct reading from the outside.

### MARKING

II 2 GD  
 Ex d IIC T(\*) Gb  
 Ex tb IIIC T(\*) Db IP66  
 Ex db IIC T6/T5/T4  
 \* T6/T85°C, T5/T100°C, T4/T135°C

## TECHNICAL FEATURES

<b>Material</b>	Copper-free aluminium
<b>IP rating</b>	IP66
<b>Ambient temperature range</b>	-60°C to + 55°C (ATEX) -60°C to +60°C (IECEX)
<b>Approvals</b>	INERIS 03ATEX0009X IECEX: BKI 15.0002 EAC: KG417-039.IT.02.06570
<b>Surface treatment</b>	Painted by polyurethane painting: Blue RAL5014 ( other colours on request) painting cycle C4 suitable for On-Shore External environment: Industrial areas and coastal areas with moderate salinity Internal environment: Chemical plants, swimming pools, coastal plants and shipyards The Reference standard is UNI EN ISO 12944-1:2018
<b>Entries</b>	Metric pitch 1.5, ANSI B1.20.1 NPT
<b>Standard certificate label</b>	Made by self adhesive UV and corrosion resistant polyester, approved by certified Laboratory
<b>Dimensions CPS../EMH..</b>	



### CPS../EMH.. enclosures - Copper-free aluminium - Standard versions\*

CODE	TYPE	WINDOW DIAMETER	WEIGHT [Kg]
B016084010010	EMH-90 M25X1,5	90	1.40
B016084010012	EMH-90 3/4" NPT	90	1.40

Note: Ammeter/Voltmer available upon request.