

LOCAL CONTROL STATIONS

CP../EFDCN-EFSRC.. Series - Copper-free aluminium



- CP../EFDCN../ EFSRC.. Series is suitable for indoor and outdoor application and are used as push-button stations, switches, motor control stations...;
- The enclosures are made of copper-free aluminium and complete with threaded hubs suitable for cable glands or conduit, connection does not affect the internal void, which remains available for terminals wiring;
- The enclosures offer an Ex d IIC mode of protection and can be equipped with different components (up to 4) such as: push buttons, selector switches, potentiometers, signal lamps, rotary handles;
- This series is tailor made according to customer specifications in terms of quantity and type of operators. Our technical department will select the most suitable solution within the limits allowed by the certificate.

MARKING

II 2 GD

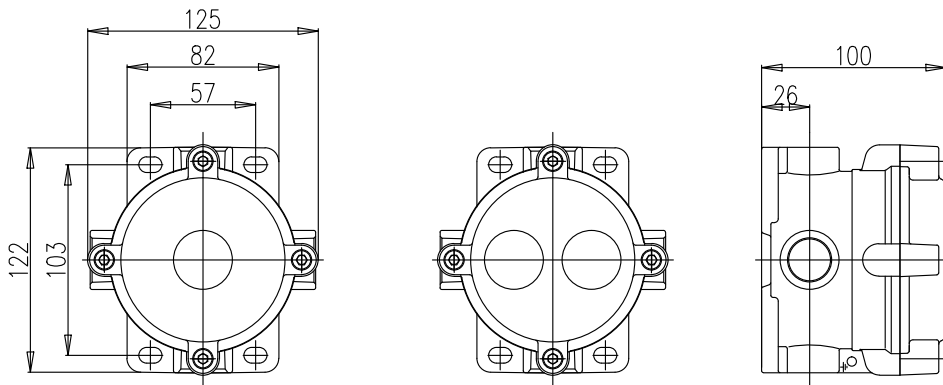
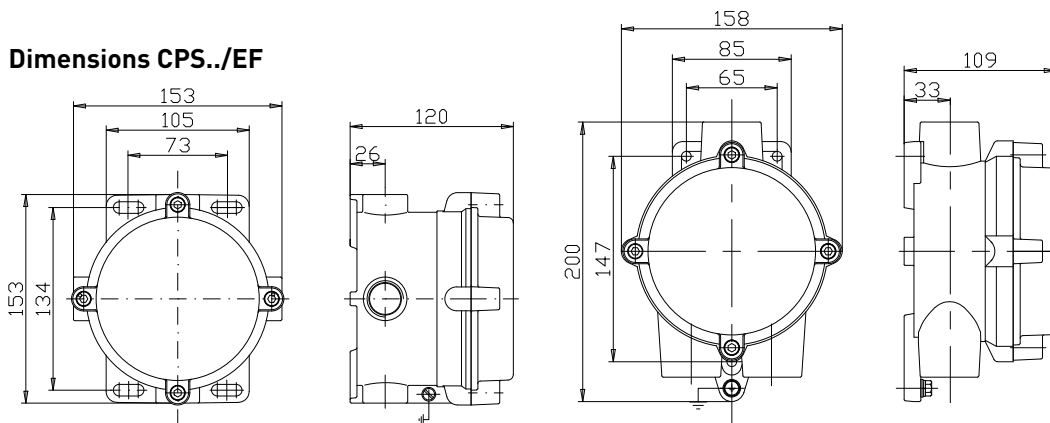
Ex db IIC T[*] Gb

Ex tb IIIC T[*] Db IP66

* T6/T85°C, T5/T100°C, T4/T135°C

TECHNICAL FEATURES

Material	Copper-free aluminium
IP rating	IP66
Ambient temperature range	-50°C to +60°C (ATEX) -60°C to +60°C (IECEX)
Approvals	INERIS 03ATEX0009X IECEX BKI 15.0002 EAC KG417-039.IT.02.06570
Zones	Gas Zone: 1,2 Dust Zone: 21, 22
Surface treatment	Painted by polyuretane painting: RAL5014 painting cycle C4 suitable for On-Shore The reference standard is UNI EN ISO 12944 - 1: 2018 Upon request other colours and painting cycles
Thread	ISO: M20, M25, M32 NPT: 1/2", 3/4", 1"
Standard certificate label	Made by self adhesive UV and corrosion resistant polyester, approved by certified Laboratory.
Optional accessories	Internal anticondensate painting Hot deep galvanized steel or Stainless Steel AISI316 stand/canopy.

Dimensions CP../EFDCN**Dimensions CPS../EF****CP../EF.. Series - Push button stations - Available versions**

TYPE	AVAILABLE ENTRIES		CONFIGURATION OF ENTRIES	MAX. N° OF OPERATORS	ENCLOSURE DIAMETER [mm]
	METRIC	NPT			
CPC-26/EF..	2 X M25	2 X 3/4"NPT		2	90
CPT-26/EF..	3 X M25	3 X 3/4"NPT		2	90
CPX-26/EF..	4 X M25	4 X 3/4"NPT		2	90

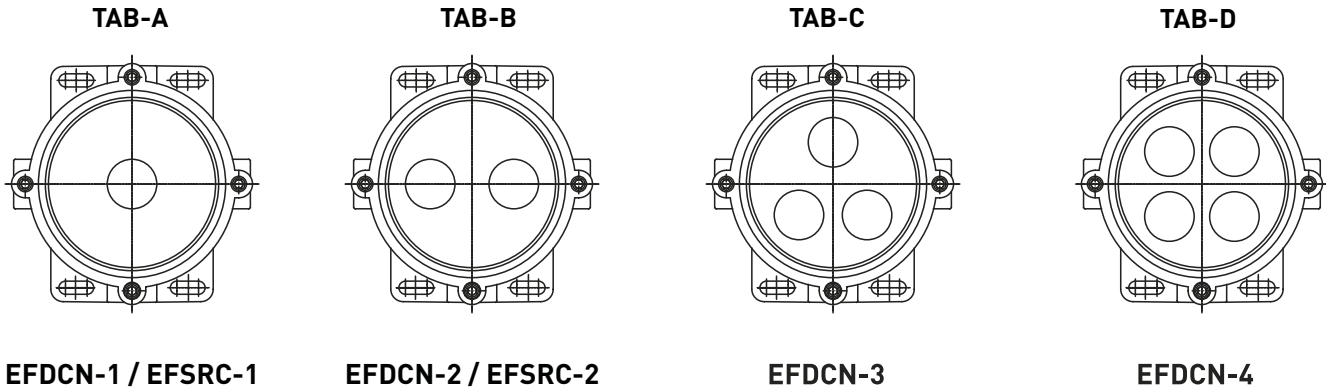
For complete push button stations, ask to the Sales Dept.

CPS../EFDCN.. Series - Push button stations - Available versions

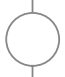
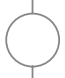
TYPE	AVAILABLE ENTRIES				CONFIGURATION OF ENTRIES	MAX. N° OF OPERATORS	ENCLOSURE DIAMETER [mm]
	METRIC		NPT				
CPSC-../EF..	2 X M25	2 X M32	2 X 3/4"NPT	2 X 1" NPT		4	120
CPST-../EF..	3 X M25	3 X M32	3 X 3/4"NPT	3 X 1" NPT		4	120
CPSG-../EF..	3 X M25	3 X M32	3 X 3/4"NPT	3 X 1" NPT		4	120
CPSX-../EF..	4 X M25	4 X M32	4 X 3/4"NPT	4 X 1" NPT		4	120

For complete push button stations, ask to the Sales Dept.

Dimensions CP../CPS.. EFDCN



CP../CPS.. EFDCN Series - Standard versions*

CODE	TYPE	ENTRIES	N° OF HOLES ON COVER	DRAWING	ENCLOSURE DIAMETER [mm]	WEIGHT [Kg]
B012074010149	CPC-26/EFDCN-1-90	 2 X M25	1	TAB-A	90	1.10
B012074010134	CPC-26/EFDCN-2-90		2	TAB-B	90	1.10
B012074010152	CPSC-26/EFDCN-1-120		1	TAB-A	120	1.70
B012074010154	CPSC-26/EFDCN-2-120		2	TAB-B	120	1.70
B012074010156	CPSC-26/EFDCN-3-120		3	TAB-C	120	1.70
B012074010158	CPSC-26/EFDCN-4-120		4	TAB-D	120	1.70
B012074010150	CPC-26/EFDCN-1-90	 2 X 3/4" NPT	1	TAB-A	90	1.10
B012074010151	CPC-26/EFDCN-2-90		2	TAB-B	90	1.10
B012074010153	CPSC-26/EFDCN-1-120		1	TAB-A	120	1.70
B012074010155	CPSC-26/EFDCN-2-120		2	TAB-B	120	1.70
B012074010157	CPSC-26/EFDCN-3-120		3	TAB-C	120	1.70
B012074010159	CPSC-26/EFDCN-4-120		4	TAB-D	120	1.70


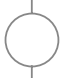
*CP../EFDCN Series are supplied ATEX/TR-CU certified. For IECEx certificate, ask to our Sales Dept.

*CP../EFDCN Series are supplied painted. Standard painting cycle: C4 - Colour: Blue RAL5014 (Other colours available upon request)

**Codes refer to drilled enclosures without operators & components. To be ordered separately, refer to "Spare & Accessories" section.

For different customized configurations, ask to our Sales. Dept.

CP./CPS.. EFSRC Series - Standard versions*

CODE**	TYPE	ENTRIES	OPERATOR	N° OF POLES	AMPERE A	ENCLOSURE DIAMETER [mm]	WEIGHT [Kg]
B012074010135	CPC-26/EFSRC-220	2 X M25 	ON LOAD SWITCH	2	20	90	1.10
B012074010160	CPC-26/EFSRC-D-220		CHANGE OVER SWITCH	2	20	90	1.15
B012074010161	CPC-26/EFSRC-C-220		STEP SWITCH	2	20	90	1.15
B012074010166	CPSC-26/EFSRC-320		ON LOAD SWITCH	3	20	120	1.15
B012074010167	CPSC-26/EFSRC-D-320		CHANGE OVER SWITCH	3	20	120	1.20
B012074010168	CPSC-26/EFSRC-C-320		STEP SWITCH	3	20	120	1.20
B012074010162	CPC-26/EFSRC-220	2 X 3/4"NPT 	ON LOAD SWITCH	2	20	90	1.10
B012074010163	CPC-26/EFSRC-D-220		CHANGE OVER SWITCH	2	20	90	1.15
B012074010164	CPC-26/EFSRC-C-220		STEP SWITCH	2	20	90	1.15
B012074010169	CPSC-26/EFSRC-320		ON LOAD SWITCH	3	20	120	1.15
B012074010170	CPSC-26/EFSRC-D-320		CHANGE OVER SWITCH	3	20	120	1.20
B012074010171	CPSC-26/EFSRC-C-320		STEP SWITCH	3	20	120	1.20

PSRC Series Rated operational characteristic

AMPERE A	AC-1 Ie MAX. [A]	AC-3 Ie MAX. [A]	AC-11 Ie MAX. [A]	Ui max. [V]
20	25	12	9	690
32	36	22	16	690

*CP./EFSRC Series are supplied ATEX/TR-CU certified. For IECEx certificate, ask to our Sales Dept.

*CP./EFSRC Series are supplied painted. Standard painting cycle: C4. Colour: Blue RAL5014 (Other colours are available upon request)

**Codes refer to drilled enclosures with 1 standard operator.

For different customized configurations, ask to our Sales. Dept.