

## INCREASED SAFETY

# B2X Series - Glassfiber reinforced polyester

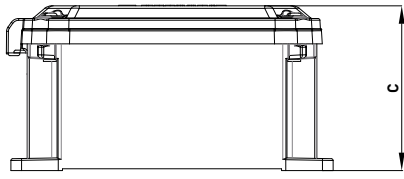


- New high resistance GRP Enclosures, developed and specially designed to host wide range of terminals, multiple power sockets and disconnectors. Tested and certified to be installed and used in extreme site conditions, offshore applications and hazardous areas (Zones 1, 2, 21 & 22 under ATEX and IECEx).
- Their smart and compact design make them easy to install and use in small and hard access spaces.
- B2X certification offers different kind of protection modes in order to satisfy wide range of application (increased safety Ex e, intrinsically safe Ex ia, Explosion proof Ex de in case of Socket junction box combination).

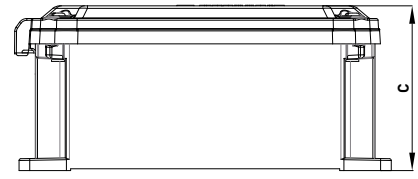
## TECHNICAL FEATURES

<b>Material</b>	GRP (Glassfiber reinforced polyester)
<b>IP rating</b>	IP66/IP67
<b>Ambient temperature range</b>	-55°C to +60°C
<b>Approvals</b>	ATEX: LCIE 16 ATEX 3057 X IECEX :LCIE 16.0046X EAC: RU C-IT.BH02.B.00593/20
<b>Marking</b>	II 2 GD Ex e/Ex ia or ib/Ex e ia or e ib IIC T(**) Gb Ex tb IIIC T** °C Db IP66/67 ** T6/T80°C, T5/T95°C, T4/T105°C
<b>Standard certificate label</b>	Made by self adhesive UV and corrosion resistant polyester, approved by certified Laboratory
<b>Accessories in standard</b>	Moulded hinges

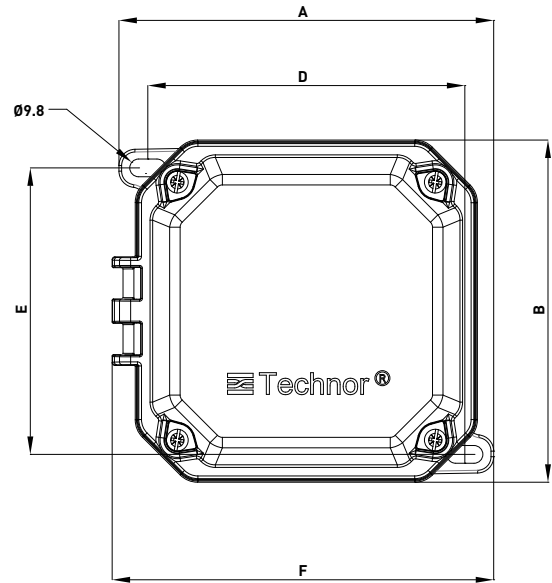
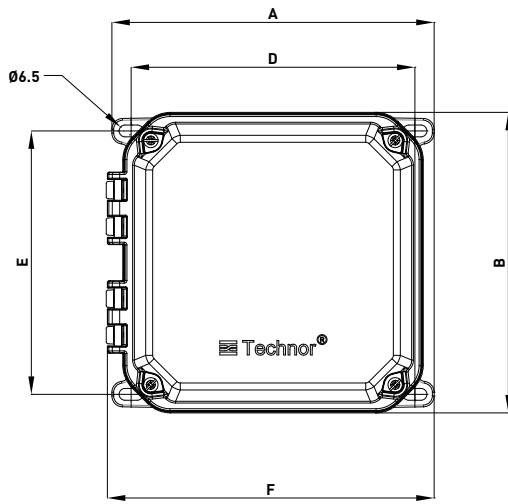
## Dimensions B2X



DRAWING A



DRAWING B



CODE	TYPE	DIMENSIONS [mm]						DRAWING
		A	B	C	D	E	F	
B011051010001	B2X - 1212	120	120	91	117	105,5	141	A
B011051010002	B2X - 1616	160	160	91	157	145,5	181	B