

INCREASED SAFETY

AQ../AR.. Series - Glassfiber reinforced polyester

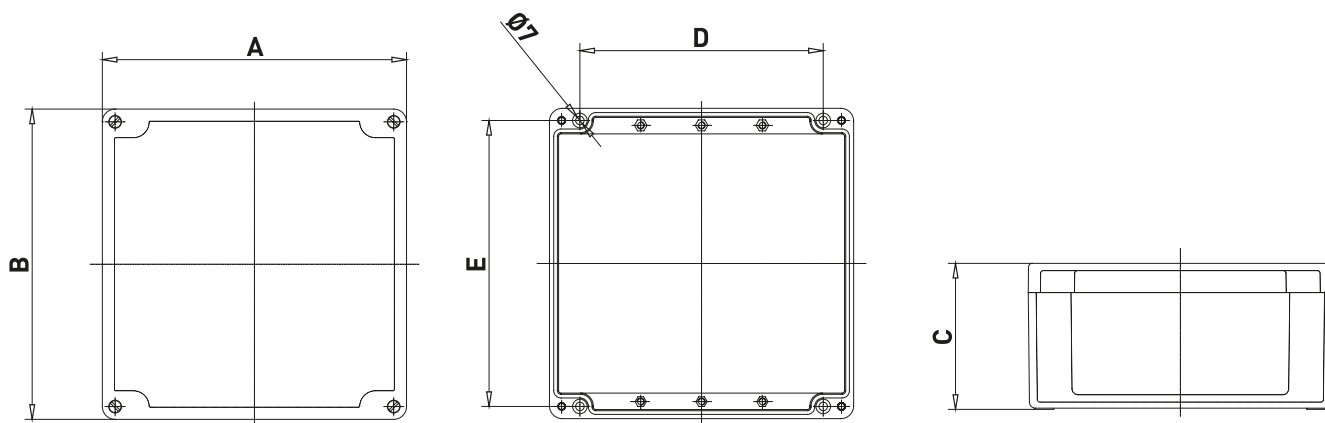


- AQ../AR.. Series enclosures are ideally suited for chemical and petrochemical environments;
- Made of GRP (Glassfiber reinforced polyester), AQ../AR.. enclosures guaranteed high resistance to sea water corrosion and can withstand the harshest temperatures;
- Used to house Ex e and Ex i terminals. Maximum number of terminals changes according to: terminals section, enclosure operating temperature and required temperature class.

TECHNICAL FEATURES

Material	GRP (Glassfiber reinforced polyester)	
IP rating	IP66	
Ambient temperature range	-50°C to +60°C (ATEX) -50°C to +60°C (IECEX - up to +95°C for some "special" models)	
Approvals	<u>Full Conformity Certificate:</u> ATEX: IMQ 08 ATEX 028X IECEX: IMQ 15.0002X EAC: RU C-IT.BH02.B.00593/20	<u>Component Certificate:</u> ATEX: IMQ 16 ATEX 004U IECEX: IMQ 15.0010U EAC: RU C-IT.BH02.B.00593/20
Marking	II 2 GD Ex e IIC Gb/Ex ia Ga IIC T(**) Ex tb IIIC T(**) Db IP66 ** T6/T85°C, T5/T100°C, T4/T135°C	
Standard certificate label	Made by self adhesive UV and corrosion resistant polyester, approved by certified Laboratory.	
Optional accessories	Hinges Drain/breather valve Traffolyte/Stainless steel certificate label Internal mounting plate Earth continuity plates Passing through earth bolt	

Dimensions AQ../AR..



AQ../AR.. Series - Junction boxes - Standard versions*

TYPE	CODE	DIMENSIONS [mm]					WEIGHT [Kg]
		A	B	C	D	E	
AQ-080806P	B011041010001	75	80	55	45	48	0,23
AR-081106P	B011031010001	80	110	60	45	98	0,29
AQ-121209P	B011041010002	120	120	90	82	106	0,75
AR-122209P	B011031010002	120	220	90	82	204	1,06
AQ-161609P	B011041010003	160	160	90	110	140	1,29
AR-162609P	B011031010003	160	260	90	110	240	1,71
AR-163609P	B011031010004	160	360	90	110	340	2,15
AQ-252612P	B011041010004	250	260	120	200	235	2,65
AQ-252616P	B011041010005	250	260	160	200	235	2,85
AR-254012P	B011031010006	250	400	120	200	380	3,65
AR-254016P	B011031010007	250	400	160	200	380	3,85
AR-256012P	B011031010008	250	600	120	200	580	5,23
AQ-414012P	B011041010006	410	400	120	355	380	5,58
AR-406025P	B011031010005	400	600	250	350	580	6,15

*The codes refer to the empty and undrilled enclosures, sold under component certificate.
For complete junction boxes is necessary to ask to the Sales Office.
Other sizes are available upon request.

Maximum number of entries on sides

TYPE	M20/1/2"		M25/3/4"		M32/1"		M40/1" 1/4		M50/1" 1/2		M63/2"	
	A	B	A	B	A	B	A	B	A	B	A	B
AQ-080806P	1	1	-	1	-	-	-	-	-	-	-	-
AR-081106P	1	2	-	2	-	-	-	-	-	-	-	-
AQ-121209P	2	2	1	2	1	1	1	1	-	-	-	-
AR-122209P	2	5	1	4	1	3	1	3	-	-	-	-
AQ-161609P	3	3	2	3	1	2	1	1	-	-	-	-
AR-162609P	3	5	2	5	1	4	1	3	-	3	-	-
AR-163609P	3	8	2	7	1	6	1	5	-	4	-	-
AQ-252612P	8	10	8	10	3	7	3	4	2	3	2	2
AQ-252616P	8	10	8	10	3	7	3	4	2	3	2	2
AR-254012P	8	18	8	16	3	5	3	5	3	5	2	4
AR-254016P	8	18	8	16	3	5	3	5	3	5	2	4
AR-256012P	8	25	8	24	3	10	3	8	2	6	2	6
AQ-414012P	16	18	6	14	5	6	5	5	4	5	3	6
AR-406025P	15	25	5	24	4	10	4	8	3	6	2	4