

ENCLOSURES / JUNCTION BOXES WITH TERMINALS

AQ../AR.. Series - Glassfiber reinforced polyester



- AQ../AR.. Series enclosures are ideally suited for chemical and petrochemical environments;
- Made of GRP (Glassfiber reinforced polyester), AQ../AR.. enclosures guaranteed high resistance to sea water corrosion and can withstand the harshest temperatures;
- Used to house Ex e and Ex i terminals. Maximum number of terminals changes according to: terminals section, enclosure operating temperature and required temperature class.

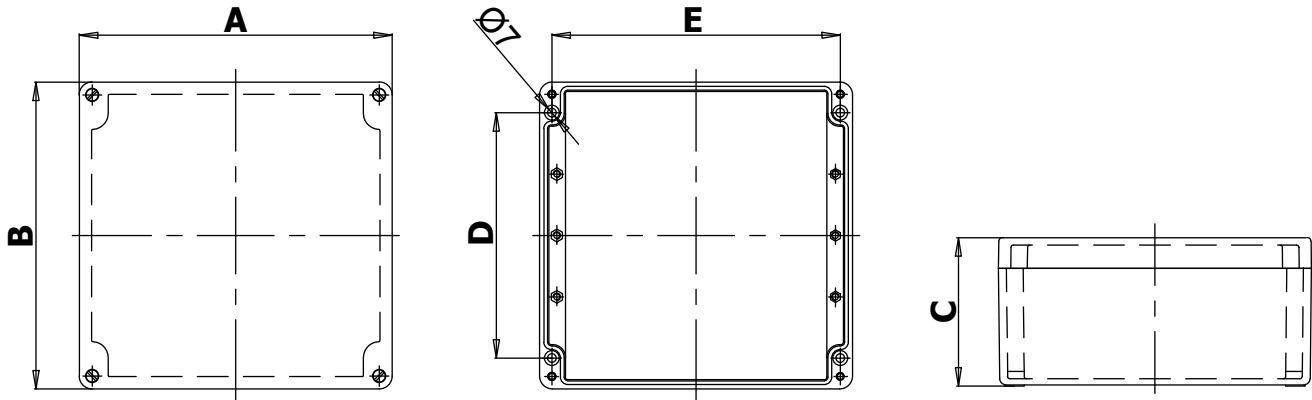
MARKING

II 1 G	
Ex ia IIC T6/T5/T4 Ga	Component marking
II 2GD	II 2GD
Ex eb IIC T6/T5/T4 Gb or	Ex eb IIC Gb
Ex tb IIIC T85°C/T100°C/T135°C Db	Ex tb IIIC Db

TECHNICAL FEATURES

Material	GRP (Glassfiber reinforced polyester)	
IP rating	IP66	
Shock resistance	7J	
Ambient temperature range	Ambient -50°C to +95°C	Service -50°C to +105°C
Approvals	<u>Full Conformity Certificate:</u> FIDI 21 ATEX 0090X IECEX FIDI21.0015X EAC: KG-417039.IT.02.06533 ECAS-Ex	<u>Component Certificate:</u> FIDI21ATEX0075U IECEX FIDI21.0012U EAC:KG-417039.IT.02.06533
Standard certificate label	Made by self adhesive UV and corrosion resistant polyester, approved by certified Laboratory.	
Included accessories	Screw in AISI304	
Optional accessories	Hinges Drain/breather valve Laminated plastic/Stainless steel certificate label Internal mounting plate Earth continuity plates Passing through earth bolt Screw in AISI316L	
Available versions	Standard version: up to internal temperature of 105°C HT version: up to internal temperature of 130°C	

Dimensions AQ../AR..



AQ../AR.. Series - Junction boxes - Standard versions*

CODE	TYPE	DIMENSION [mm]					WEIGHT [kg]	MOUNTING PLATE
		A	B	C	FIXING			
					D	E		
B011041010008	AQ-080808P*	75	80	75	45	68	0,26	-
B011031010001	AR-081106P*	75	110	60	45	98	0,29	-
B011041010002	AQ-121209P*	122	120	90	82	106	0,75	100X100
B011031010002	AR-122209P*	120	220	90	82	204	1,06	100X195
B011041010003	AQ-161609P*	160	160	90	110	140	1,29	130X130
B011031010003	AR-162609P*	160	260	90	110	240	1,71	130X240
B011031010004	AR-163609P*	160	360	90	110	340	2,15	130X340
B011041010004	AQ-252612P*	250	255	120	200	235	2,65	210X232
B011041010005	AQ-252616P*	250	255	160	200	235	2,85	210X232
B011031010006	AR-254012P*	250	400	120	200	380	3,65	210X380
B011031010007	AR-254016P*	250	400	160	200	380	3,85	210X380
B011031010008	AR-256012P*	250	600	120	200	580	5,23	210X580
B011041010006	AQ-414012P*	405	400	120	355	380	5,58	360X375

*HT version upon request

AQ../AR.. Series - Junction boxes - Only HT version

CODE	TYPE	DIMENSION [mm]					WEIGHT [kg]	MOUNTING PLATE
		A	B	C	FIXING			
					D	E		
B011031010011	AR-081108P-HT	75	110	75	45	98	0,32	-
B011031010012	AR-081608P-HT	75	160	75	45	148	0,53	-
B011031010015	AR-082308P-HT	75	230	75	45	218	0,72	-
B011041010010	AQ-363609P-HT	360	360	90	310	340	4,1	320X340
B011041010007	AQ-414020P-HT	405	400	201	355	380	8,88	360X375
B011041010009	AQ-202017P-HT**	200	200	165	175	175	2	170X180
B011031010017	AR-203017P-HT**	200	300	165	175	275	2,22	170X265
B011031010018	AR-304020P-HT**	300	400	195	220	300	4	250X370
B01103101C005	AR-406025P-HT**	400	600	252	320	500	7,37	345X565

**Version with hinged lead and 1/4 closing system turned key

D and E dimensions refer to fixing

These enclosures refer to the empty and undrilled enclosures, sold under component certificate. For complete junction boxes is necessary to ask to the Sales Dept.

ENCLOSURES / JUNCTION BOXES WITH TERMINALS

AQ../AR.. Series - Copper free aluminium low thickness



- AQ../AR.. Series enclosures are ideally suited for chemical and petrochemical environments;
- Made of copper-free aluminium, AQ../AR.. enclosures guaranteed high resistance to sea water corrosion and can withstand the harshest temperatures;
- Used to house Ex e and Ex i terminals. Maximum number of terminals changes according to: terminals section, enclosure operating temperature and required temperature class.

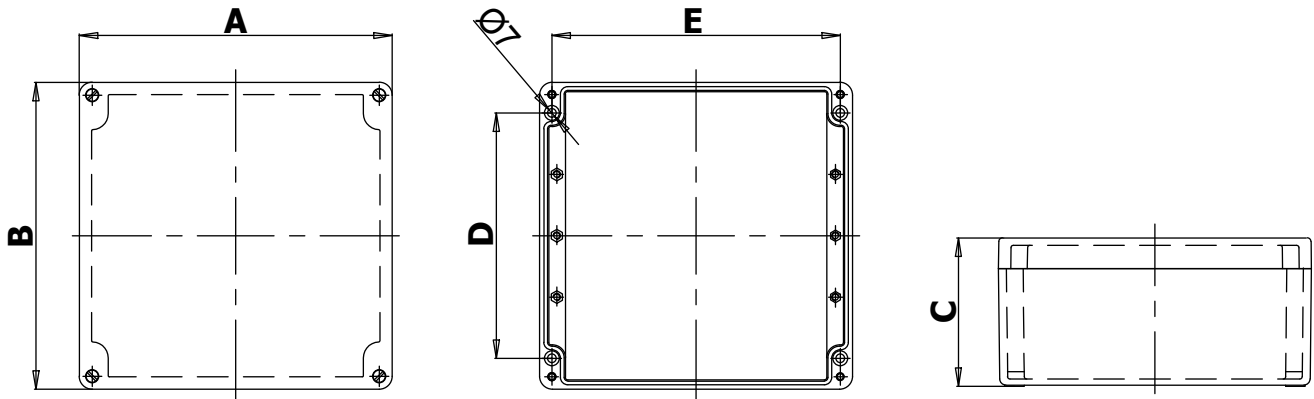
MARKING

II 1 G	Component marking
Ex ia IIC T6/T5/T4 Ga	II 2GD
II 2GD	Ex eb IIC Gb
Ex eb IIC T6/T5/T4 Gb or	Ex tb IIIC Db
Ex tb IIIC T85°C/T100°C/T135°C Db	

TECHNICAL FEATURES

Material	Copper-free aluminium	
IP rating	IP66	
Shock resistance	7J	
Ambient temperature range	Ambient -50°C to +95°C	Service -50°C to +105°C
Approvals	<u>Full Conformity Certificate:</u> FIDI 21 ATEX 0090X IECEX FIDI21.0015X EAC: KG-417039.IT.02.06533 ECAS-Ex	<u>Component Certificate:</u> FIDI21ATEX0075U IECEX FIDI21.0012U EAC:KG-417039.IT.02.06533
Standard certificate label	Made by self adhesive UV and corrosion resistant polyester, approved by certified Laboratory.	
Surface treatment	Standard: polyester powder coating RAL7001 (other colour available upon request)	
Included accessories	Screw in AISI304	
Optional accessories	Hinges Drain/breather valve Laminated plastic/Stainless steel label Internal mounting plate Earth continuity plates Passing through earth bolt Screw in AISI316L	
Available versions	Standard version: up to internal temperature of 105°C HT version: up to internal temperature of 130°C	

Dimensions AQ../AR..



AQ../AR.. Series - Junction boxes - Standard versions*

CODE	TYPE	DIMENSION [mm]					WEIGHT [kg]	MOUNTING PLATE
		A	B	C	FIXING			
					D	E		
B011044010001	AQ-080806AL*	80	75	57	52	63	0,30	-
B011034010029	AR-081306AL*	80	125	57	52	113	0,45	-
B011044010002	AQ-101008AL*	100	100	81	66	86	0,62	-
B011044010003	AQ-121208AL*	120	120	81	83	106	0,94	100X100
B011034010005	AR-122209AL*	120	220	91	83	204	1,43	100X195
B011044010004	AQ-141409AL*	140	140	91	93	120	1,34	110X120
B011044010005	AQ-161609AL*	160	160	91	110	140	1,50	130X140
B011034010007	AR-162609AL*	160	260	91	110	240	1,78	130X240
B011044010006	AQ-181810AL*	180	180	101	130	160	1,68	150X160
B011034010010	AR-202311AL*	200	230	111	150	200	2,44	170X210
B011034010025	AR-202318AL*	200	230	181	150	200	2,66	170X210
B011034010019	AR-232811AL*	230	280	111	180	260	2,99	200X260
B011034010013	AR-233312AL*	230	330	121	180	305	3,15	200X270
B011034010014	AR-233318AL*	230	330	181	180	305	3,21	200X310

*HT version upon request

AQ../AR.. Series - Junction boxes - Only HT version

CODE	TYPE	DIMENSION [mm]					WEIGHT [kg]	MOUNTING PLATE
		A	B	C	FIXING			
					D	E		
B011034010033	AR-102311AL-HT	100	230	111	66	200	2,00	-
B011034010035	AR-123608AL-HT	120	360	81	83	344	2,03	100X340
B011034010028	AR-163609AL-HT	160	360	91	110	344	2,13	130X340
B011034010021	AR-234011AL-HT	230	400	111	180	380	3,23	200X380
B011034010037	AR-234023AL-HT	230	400	225	180	380	7,96	200X380
B011034010020	AR-314011AL-HT	310	400	111	262	382	3,29	280X380
B011034010027	AR-314018AL-HT	310	400	181	262	382	8,38	280X380
B010800S00001	AR-316011AL-HT	310	600	111	260	580	9,24	280X580
B011034010024	AR-316018AL-HT	310	600	181	262	580	12,00	280X580
B010800S00002	AQ-606020AL-HT	600	600	202	525	555	22,00	570X580

The codes refer to the empty and undrilled enclosures, sold under component certificate. For complete junction boxes is necessary to ask to the Sales Dept.