

# 30 A

230 V  
U MAXI

## ANTI ENGINE START UP PLUG PN



IP55



1-6 mm<sup>2</sup> (1)  
1,5-10 mm<sup>2</sup> (2)



GRP  
METAL



▶ IK09  
▶ IK09



-40 °C  
+60 °C

(1) Flexible wiring (min.-max.).  
(2) Stranded wiring (min.-max.).



GRP devices are not compatible with metal devices.

Standard self closing/self returning lid

### OTHER FEATURES

Reversed interior and contacts.

This PN features a special wiring configuration that prevents the vehicle from starting-up, if the plug is still connected. Safe operation is ensured and unintentional pull-out of the power supply system is avoided.





VEHICLE INLET  
PN



SOCKET-OUTLET  
on cable side  
(cap is included)  
PN

			With latch	Without latch	
GRP	220-250 V AC	1P+N+E +2aux.	0124017825A	0124017001A	0128017001A
METAL	220-250 V AC	1P+N+E +2aux.	0924017825A	0924017001A	0928017001A

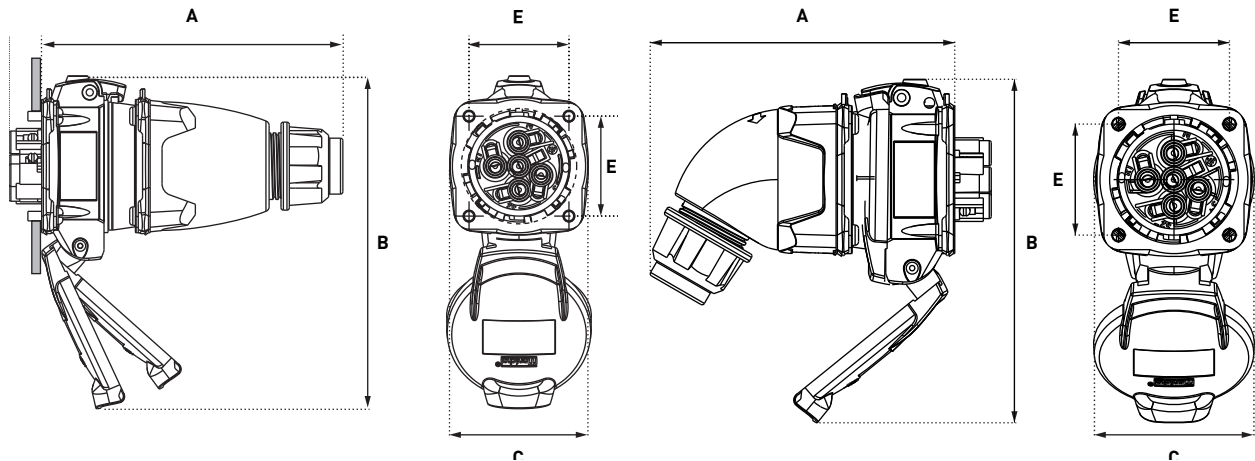
HANDLE	Cable outer Ø	Reference
<b>POLY HANDLE WITH GLAND</b>		
	9-18 mm	511P0D18

HANDLE	Cable outer Ø	Reference
<b>POLY HANDLE WITH GLAND</b>		
 60°	9-18 mm	511P6D18

# DRAWINGS AND DIMENSIONS

	A	B	C	E
<b>Straight handle</b>	127	140	58	42
<b>Angled handle</b>	117	138	61	42

## PLUG ON SOCKET-OUTLET



## INFOS +

### WIRING DIAGRAM FOR THE VEHICLE-MOUNTED SOCKET-OUTLET (230 V AC)

(for information only)

