

400 A - 600 A

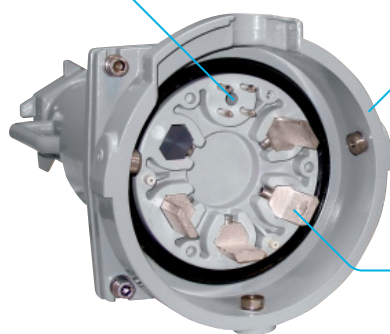
# PF INDUSTRIAL PLUGS



## MECHANICAL FEATURES

**Pilot contacts** : designed to connect after and disconnect before the phase contacts.

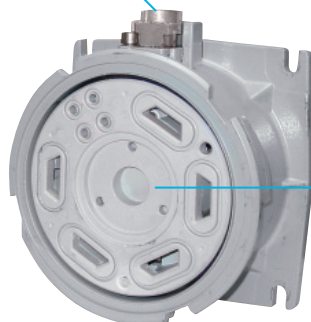
**IK10 metal casing**  
excellent resistance to shocks.



**Lateral spring-loaded silver butt-contacts**  
Silver is an excellent conductor and the plug engagement cleans contacts automatically.

### Electromechanical interlocking mechanism

The locking mechanism guarantees safe and watertight connection and engages the pilot contacts.



**Safety shutter**  
IP2X/IPXXB (PFC), IP4X/IPXXD (PFQ).

## MECHANICAL AND ELECTRICAL LOCKING



Off load engagement

The male-female connection is automatically watertight.

Locking the plug in the socket closes the pilots and connects the main circuit.

**PRESENTATION OF HIGH POWER INDUSTRIAL PLUG MOUNTING IS AVAILABLE ON OUR YOUTUBE CHANNEL**

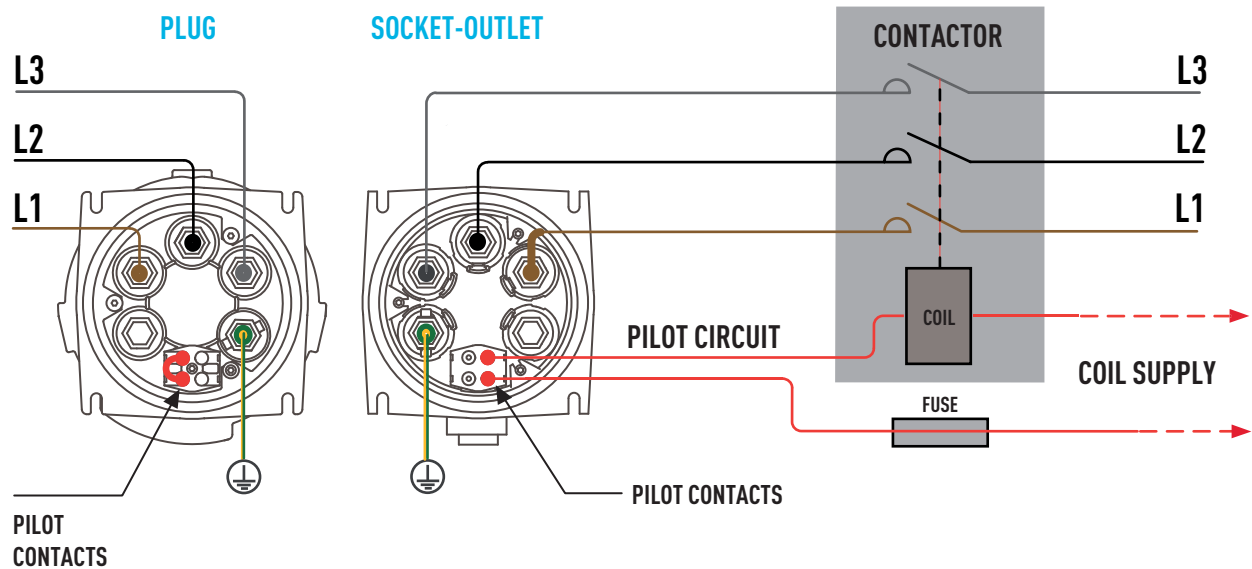


## ELECTRICAL INTERLOCKING

At this level of power, it is not possible to directly disconnect under load. Electrical interlocking with a switch or a pilot controlled contactor is required. Boxes with the following equipment are available upon request:

- circuit breaker or differential switch,
- contactor,
- fuses,
- loop-out enclosures,
- terminals for single pole cables...

## TYPICAL WIRING DIAGRAM OF THE PFC CONTROL CIRCUIT



PILOT CONTACTS		
	PFQ4	PFC6
Pilot contacts	2	2
Pilot Amperage	10 A/400 V AC	20 A/400 V AC
Interlocking Type	Mechanical	Mechanical
Terminal Type	Solder/crimp	Screw

Notes: The mechanical locking of the plug to the socket-outlet, via the rotation of a cam, closes the pilot contacts. Failure to use a pilot/relay system can create an electrical shock hazard.

# 400 A 690 V

**U<sub>MAXI</sub>**

## INDUSTRIAL PLUG PFQ4



IP66  
IP67



95-240 mm<sup>2</sup> (1)  
95-240 mm<sup>2</sup> (2)



METAL



IK10



-40 °C  
+60 °C



6 AUX. +  
2 PIL.

(1) Flexible wiring (min.-max.).  
(2) Stranded wiring (min.-max.).

### OTHER FEATURES

Junction through mono or multi conductors cables	
Auxiliary contacts (10 A/400 V)	6
Pilot contacts (10 A/400 V)	2
Flexible wiring auxiliaries/pilots	1,5 mm <sup>2</sup>

### SOCKET-OUTLET

female  
**PFQ4**





**INLET** male  
**PFQ4**




220-250 V AC	380-440 V AC	3P+N+E	4744017	4748017
380-400 V AC	660-690 V AC	3P+N+E	4744197	4748197


► Other currents, voltages, frequencies are available (see page 14).

BOXES STAINLESS STEEL 316L	Cable outer Ø	Reference
<b>WIRING FROM 95 TO 150 mm<sup>2</sup> CABLE GLAND INCLUDED</b>		
	40-50 mm	474A023050
	51-60 mm	474A023060
	61-70 mm	474A023070
	71-80 mm	474A023080
	81-90 mm	474A023090

BOXES STAINLESS STEEL 316L	Cable outer Ø	Reference
<b>WIRING FROM 150 TO 240 mm<sup>2</sup> CABLE GLAND INCLUDED</b>		
	40-50 mm	474A023550
	51-60 mm	474A023560
	61-70 mm	474A023570
	71-80 mm	474A023580
	81-90 mm	474A023590

On request: boxes for installation in ducts, boxes equipped with circuit breaker, earth-leakage switch, contactor,...

HANDLES	Cable outer Ø	Reference
<b>STRAIGHT</b>		
	46-50 mm	474A013-50
	51-55 mm	474A013-55
	56-60 mm	474A013-60
	61-65 mm	474A013-65
	66-70 mm	474A013-70
	71-75 mm	474A013-75
	76-80 mm	474A013-80
	81-85 mm	474A013-85
86-90 mm	474A013-90	

HANDLES	Cable outer Ø	Reference
<b>ANGLED 90°</b>		
	46-50 mm	474A913-50
	51-55 mm	474A913-55
	56-60 mm	474A913-60
	61-65 mm	474A913-65
	66-70 mm	474A913-70
	71-75 mm	474A913-75
	76-80 mm	474A913-80
	81-85 mm	474A913-85
86-90 mm	474A913-90	

INFOS +

**STRAIGHT CONNECTION**

use (Ø 12) straight cable lugs and sleeves






3 cable lugs are delivered as a standard

**RIGHT ANGLE CONNECTION**

Right angle connection using straight (Ø 12) cable lugs and insulation sleeves



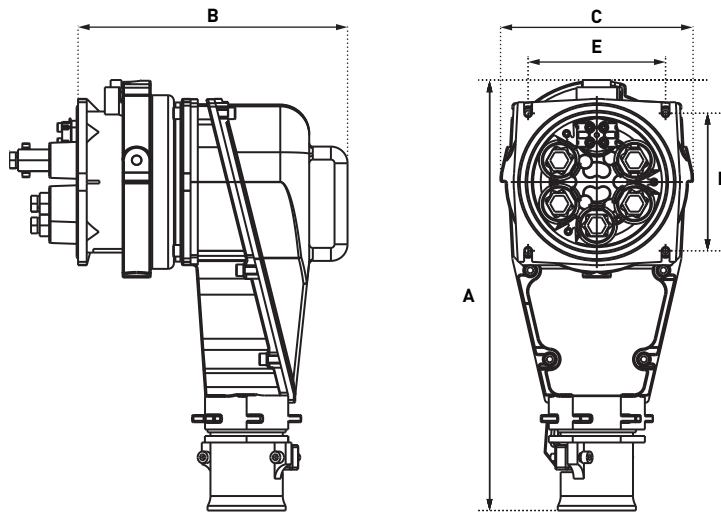
it is recommended to fit insulating sleeves to each lug.

ACCESSORIES AND OPTIONS	Reference
<b>KEY FOR LOCKING AND OPERATING PILOT CONTACTS</b>	
	473A393
<b>INLET LID</b>	
	474A126
<b>M12 CONNECTION PIECE*</b>	
	474A277

\*Wiring with straight cable lugs with terminals.

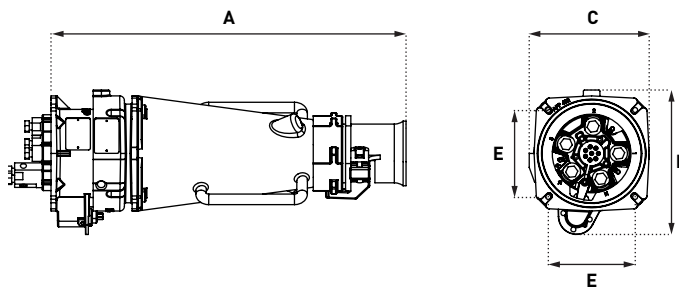
# DRAWINGS AND DIMENSIONS

## PLUG ON 90° ANGLED HANDLE ON SOCKET OUTLET



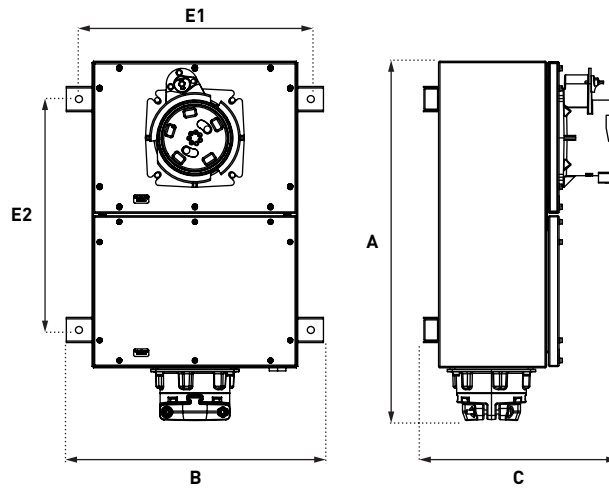
A	B	C	E
471	301	196	145

## PLUG ON STRAIGHT HANDLE ON SOCKET OUTLET



A	B	C	E
605	246	204	148

SOCKET OUTLET ON WALL BOX



	A	B	C	E1	E2
95-150 mm <sup>2</sup>	713	510	389	460	458
150-240 mm <sup>2</sup>	1013	510	483	460	400/800





# 600 A $1\,000\text{ V}$

U<sub>MAXI</sub>

## INDUSTRIAL PLUG PFC6



IP66  
IP67



95-240 mm<sup>2</sup> (1)  
95-240 mm<sup>2</sup> (2)



METAL



IK10



-40 °C  
+60 °C



2 AUX.  
+2 PIL.

(1) Flexible wiring (min.-max.).  
(2) Stranded wiring (min.-max.).

### OTHER FEATURES

Junction through mono or multi conductors cables	
Auxiliary contacts (20 A/400 V)	2
Pilot contacts (20 A/400 V)	2
Flexible wiring auxiliaries/pilots	6 mm <sup>2</sup>

**SOCKET-OUTLET**  
female  
**PFC6**





**INLET** male  
**PFC6**




380-440 V AC	3P+E	4964013	4968013
220-250 V AC 380-440 V AC	3P+N+E	4964017	4968017
660-690 V AC	3P+E	4964193	4968193
380-400 V AC 660-690 V AC	3P+N+E	4964197	4968197
1000 V AC	3P+E	4964223	4968223


► Other currents, voltages, frequencies and contact configurations are available (see page 14).

BOXES STAINLESS STEEL 316L	Cable outer Ø	Reference
<b>WIRING FROM 95 TO 150 mm<sup>2</sup> CABLE GLAND INCLUDED</b>		
	40-50 mm	496A023050
	51-60 mm	496A023060
	61-70 mm	496A023070
	71-80 mm	496A023080
	81-90 mm	496A023090

BOXES STAINLESS STEEL 316L	Cable outer Ø	Reference
<b>WIRING FROM 150 TO 240 mm<sup>2</sup> CABLE GLAND INCLUDED</b>		
	40-50 mm	496A023550
	51-60 mm	496A023560
	61-70 mm	496A023570
	71-80 mm	496A023580
	81-90 mm	496A023590

On request: boxes for installation in ducts, boxes equipped with circuit breaker, earth-leakage switch, contactor,...

HANDLES	Cable outer Ø	Reference
<b>STRAIGHT</b>		
	46-50 mm	496A013-50
	51-55 mm	496A013-55
	56-60 mm	496A013-60
	61-65 mm	496A013-65
	66-70 mm	496A013-70
	71-75 mm	496A013-75
	76-80 mm	496A013-80
	81-85 mm	496A013-85
86-90 mm	496A013-90	

HANDLES	Cable outer Ø	Reference
<b>ANGLED 90°</b>		
	40-50 mm	496A913-50
	51-60 mm	496A913-60
	61-70 mm	496A913-70
	71-80 mm	496A913-80
	81-90 mm	496A913-90

INFOS +

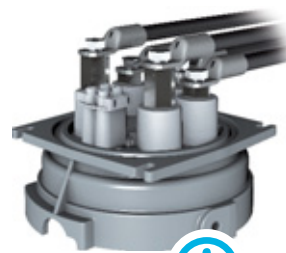
**STRAIGHT CONNECTION**

A right angled cable lug (Ø 14) with insulated sleeve.





**RIGHT ANGLE CONNECTION**

Straight cable lug (Ø 14) with insulated sleeve.



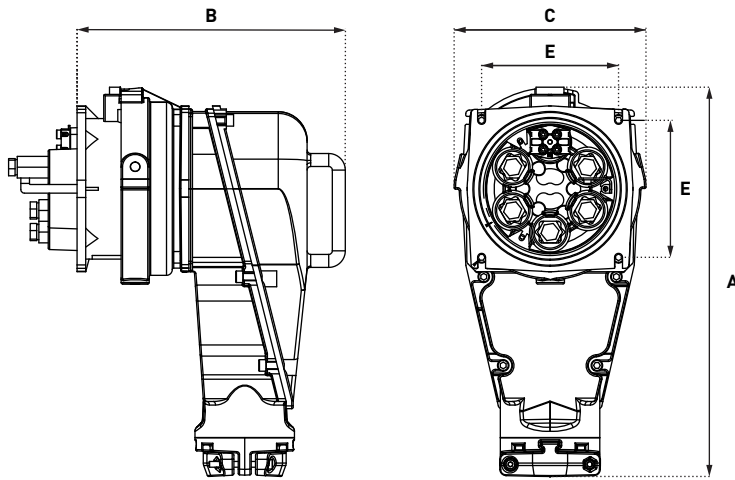
it is recommended to fit insulating sleeves to each lug.

ACCESSORIES AND OPTIONS	Reference
<b>LOCKING KEY</b>	
	496A393
<b>INLET LID</b>	
	496A126



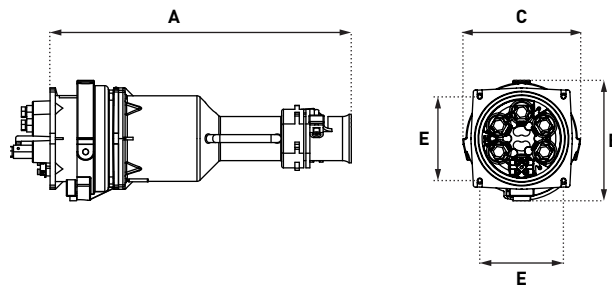
# DRAWINGS AND DIMENSIONS

## PLUG ON 90° ANGLED HANDLE ON SOCKET OUTLET



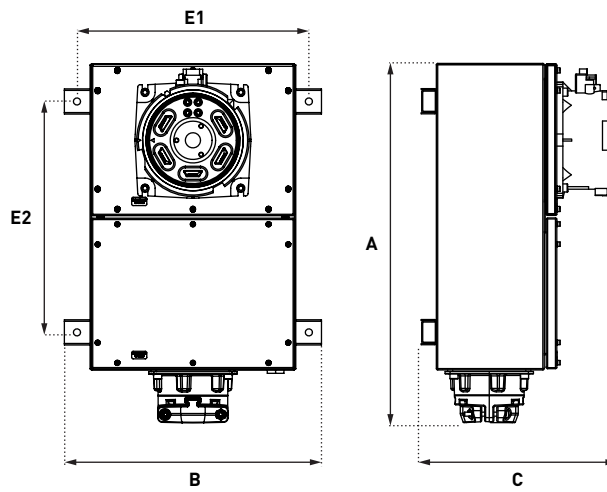
A	B	C	E
540	373	266	190

## PLUG ON STRAIGHT HANDLE ON SOCKET OUTLET



A	B	C	E
683	273	266	190

SOCKET OUTLET ON WALL BOX



	A	B	C	E1	E2
95-150 mm <sup>2</sup>	713	510	390	460	458
150-240 mm <sup>2</sup>	1013	510	479	460	400/800

