

# BOXES



## EMPTY ENCLOSURES

## DISTRIBUTION AND JUNCTION

### B2X/CDX INCREASED SAFETY ENCLOSURES



292

- II 2 G D Ex eb IIC, Ex tb IIIC Db
- GRP casing
- 120x120 mm or 160x160 mm or 342x225x156 mm
- On hinges

### B2X SOCKET OR JUNCTION BOXES



P. 294

- II 2 G D Ex e IIC, Ex tb IIIC
- Intrinsic safety capability
- GRP casing
- For Ex socket and/or EX terminals
- 120x120 mm ou 160x160 mm
- On hinges

### MXBJ JUNCTION BOXES



P. 298

- II 2 G D Ex eb IIC, Ex tb IIIC
- Intrinsic safety capability
- GRP casing, aluminium, stainless steel AISI 316L
- Custom configuration

### MXBS SOCKET-OUTLET COMBINATION BOXES



P. 300

- II 2 G D Ex eb IIC, Ex tb IIIC
- Intrinsic safety capability
- Assembly of multi-contact connectors and socket-outlets on the same enclosure
- GRP casing, aluminium, stainless steel AISI 316L
- Custom configuration

## CONTROL AND SIGNALLING

## ENCLOSURES

### CONTROL STATIONS



Increased  
safety



Flameproof

#### P. 302

- II 2 G D Ex eb IIC, Ex tb IIIC
- or II 2 G D Ex db IIC, Ex tb IIIC
- Intrinsic safety option
- A wide range of boxes equipped with certified accessories (push buttons, light indicators etc...)
- GRP casing, aluminium, stainless steel AISI 316L
- Custom configuration

### FLAMEPROOF GAS GROUP IIB + H2 OU IIC



IIB + H2

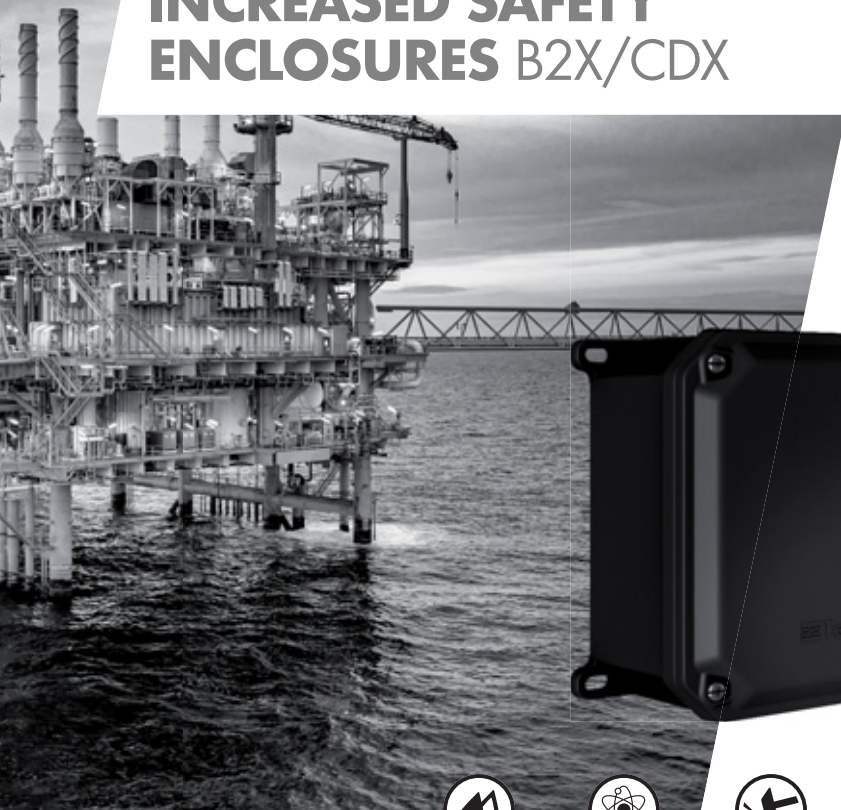


IIC

#### P. 304

- II 2 G D Ex db IIB ou IIB+H<sub>2</sub> ou IIC
- or II 2 G D Ex d IIC, Ex tb IIIC
- A wide range of metal boxes (cast aluminium or stainless steel) equipped with certified accessories (push buttons, rotating buttons, light indicators, potentiometers...)
- Custom configuration

# INCREASED SAFETY ENCLOSURES B2X/CDX



IP66  
IP67



GRP



IK09



B2X  
-50 °C  
+85 °C



CDX  
-25 °C  
+90 °C



ATEX



1, 2,  
21, 22

## OTHER FEATURES

CDX modularity

Flat or angled covers

## STANDARDS

International and European IEC/EN standards

62262, 60079-0, 60079-7 and 60079-31

## MARKING AND CERTIFICATION

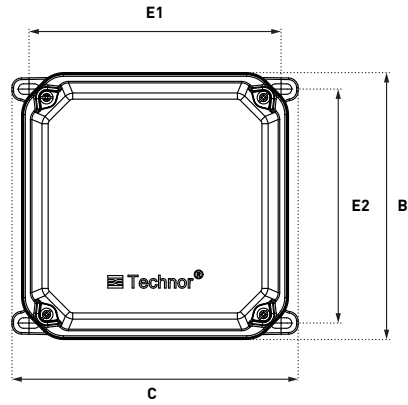
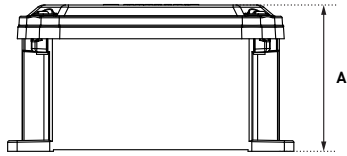
ATEX markings

II 2 G Ex eb IIC Gb  
II 2 D Ex tb IIIC Db

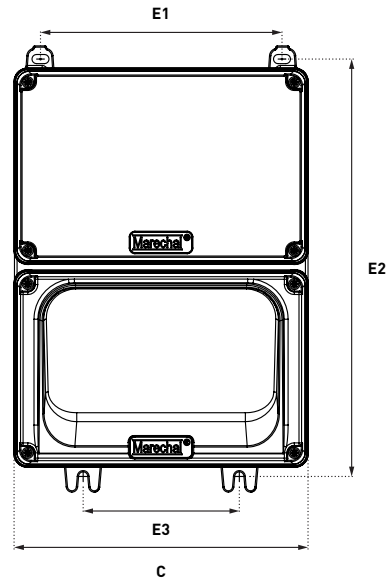
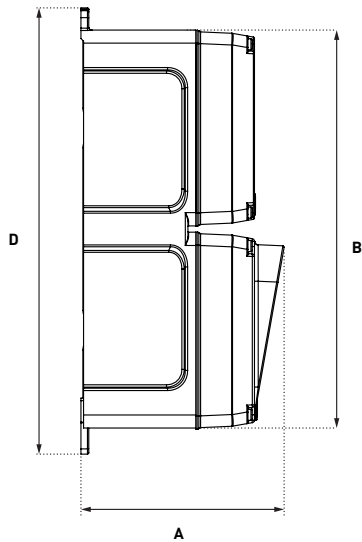
Certificates

IECEX and ATEX component certificates pending

# DRAWINGS AND DIMENSIONS



	A	B	C	E1	E2
<b>120x120</b>	91	141	126	117	106
<b>160x160</b>	91	178	166	157	146



	A	B	C	D	E1	E2	E3
<b>CDX</b>	156	305	225	342	185	320	120

# SOCKET OR JUNCTION BOXES B2X



IP66  
IP67



0,22 –  
35 mm<sup>2</sup>



GRP



IK09



-50 °C  
+60 °C



ATEX



1, 2,  
21, 22



Existing terminal configurations for 25 A, 32 A, 45 A and 63 A.

## OTHER FEATURES

Dimensions	120x120x90 and 160x160x90
Fitting	Certified Ex e terminals
Cable entries	M12 to M40
Flexible and stranded wiring (min.-max.)	0,22 – 35 mm <sup>2</sup>

## STANDARDS

International and European IEC/EN standards	62262, 60079-0, 60079-7, 60079-11 et 60079-31
---	---

## ASSOCIATED MARECHAL® PRODUCTS

DECONTACTOR™	DXA1, DXN1, DXN3 and DXN6
Connectors	PNCX
Multicontact connectors	PXN12C

## MARKING AND CERTIFICATION

ATEX markings

<sup>(2)</sup> depending on configurations and ambient T° T<sub>6</sub>/T<sub>5</sub>/T<sub>4</sub> for the gas.

Certificates

Certificates IECEX N° IECEX LCIE 16.0042X  
ATEX N° LCIE 16 ATEX 3054X

## CONFIGURATIONS

- For standard configurations of socket boxes with terminals, see the DXN1, DXN3 and DXN6 pages.
- For special configurations, contact us.



### ACCESSORIES ON REQUEST

- Earth stud
- Earth bar
- Junction bar
- Draining and breathing device
- Earth continuity plate
- Metal cable gland with or without earth continuity

# CONFIGURATION TYPES

## POLYAMIDE CABLE GLAND



Junction box in GRP, with polyamide cable glands, blanking-plug, terminals as described.

SIZE	CONFIG.	CABLE GLAND	STOPPING PLUG (as free part)	TERMINAL	MAX CURRENT <sup>(1)</sup>	ARTICLE NUMBER
120x120x90 mm		2 x M20 (10-14 mm)	/	5 x 4 mm <sup>2</sup> + 2 E	25 A	24A1C0000J169
		3 x M20 (10-14 mm)	1 x M20	5 x 4 mm <sup>2</sup> + 2 E	25 A	24A1C0000J170
		4 x M20 (10-14 mm)	2 x M20	7 x 4 mm <sup>2</sup> + 2 E	25 A	24A1C0000J171
		2 x M25 (12-18 mm)	/	5 x 6 mm <sup>2</sup> + 2 E	32 A	24A1D0000J172
		3 x M25 (12-18 mm)	1 x M25	5 x 6 mm <sup>2</sup> + 2 E	32 A	24A1D0000J173
		4 x M25 (12-18 mm)	2 x M25	7 x 6 mm <sup>2</sup> + 2 E	32 A	24A1D0000J174
160x160x90 mm		2 x M32 (16-25 mm)	/	5 x 10 mm <sup>2</sup> + 2 E	45 A	24C1E0000J175
		3 x M32 (16-25 mm)	1 x M32	5 x 10 mm <sup>2</sup> + 2 E	45 A	24C1E0000J176
		4 x M32 (16-25 mm)	2 x M32	7 x 10 mm <sup>2</sup> + 2 E	45 A	24C1E0000J177
		2 x M40 (22-32 mm)	/	5 x 16 mm <sup>2</sup> + 2 E	63 A	24C1F0000J178
		3 x M40 (22-32 mm)	1 x M40	5 x 16 mm <sup>2</sup> + 2 E	63 A	24C1F0000J179
		4 x M40 (22-32 mm)	2 x M40	7 x 16 mm <sup>2</sup> + 2 E	63 A	24C1F0000J180
		6 x M20 (10-14 mm)	3 x M20	12 x 4 mm <sup>2</sup> + 4 E	25 A	24C1C0000J195
		8 x M20 (10-14 mm)	4 x M20	14 x 4 mm <sup>2</sup> + 4 E	25 A	24C1C0000J196
		6 x M25 (12-18 mm)	3 x M25	12 x 6 mm <sup>2</sup> + 4 E	32 A	24C1D0000J197
		8 x M25 (12-18 mm)	4 x M25	12 x 6 mm <sup>2</sup> + 4 E	32 A	24C1D0000J198
		6 x M32 (16-25 mm)	3 x M32	10 x 10 mm <sup>2</sup> + 3 E	45 A	24C1E0000J199
		8 x M32 (16-25 mm)	4 x M32	10 x 10 mm <sup>2</sup> + 3 E	45 A	24C1E0000J200

[1] Maximum current, at +60°C, for the maximum cable cross-section per terminal of the configuration concerned.  
Details and drawings available on request.



According to configurations and the temperature class requested, the maximum current can be modified.  
Contact us for other configurations and boxes.

# CONFIGURATION TYPES

## POLYAMIDE CABLE GLAND



Junction box in GRP, with cable glands, blanking-plug, terminals as described.

SIZE	CONFIG.	CABLE GLAND	STOPPING PLUG (as free part)	TERMINAL	MAX CURRENT <sup>(1)</sup>	ARTICLE NUMBER
120x120x90 mm		2 x M20 (6-12/8-17 mm)	/	5 X 4 mm <sup>2</sup> + 2 E	25A	24A1C0000J201
		3 x M20 (6-12/8-17 mm)	1 x M20	5 X 4 mm <sup>2</sup> + 2 E	25A	24A1C0000J202
		4 x M20 (6-12/8-17 mm)	2 x M20	7 X 4 mm <sup>2</sup> + 2 E	25A	24A1C0000J203
		2 x M25 (6-17/14-23 mm)	/	5 X 6 mm <sup>2</sup> + 2 E	32A	24A1D0000J204
		3 x M25 (6-17/14-23 mm)	1 x M25	5 X 6 mm <sup>2</sup> + 2 E	32A	24A1D0000J205
		4 x M25 (6-17/14-23 mm)	2 x M25	7 X 6 mm <sup>2</sup> + 2 E	32A	24A1D0000J206
160x160x90 mm		2 x M32 (14-23/20-29 mm)	/	5 X 10 mm <sup>2</sup> + 2 E	45A	24C1E0000J207
		3 x M32 (14-23/20-29 mm)	1 x M32	5 X 10 mm <sup>2</sup> + 2 E	45A	24C1E0000J208
		4 x M32 (14-23/20-29 mm)	2 x M32	7 X 10 mm <sup>2</sup> + 2 E	45A	24C1E0000J209
		2 x M40 (23-36/29-42 mm)	/	5 X 16 mm <sup>2</sup> + 2 E	63A	24C1F0000J210
		3 x M40 (23-36/29-42 mm)	1 x M40	5 X 16 mm <sup>2</sup> + 2 E	63A	24C1F0000J211
		4 x M40 (23-36/29-42 mm)	2 x M40	7 X 16 mm <sup>2</sup> + 2 E	63A	24C1F0000J212
		6 x M20 (6-12/8-17 mm)	3 x M20	12 X 4 mm <sup>2</sup> + 4 E	25A	24C1C0000J213
		8 x M20 (6-12/8-17 mm)	4 x M20	14 X 4 mm <sup>2</sup> + 4 E	25A	24C1C0000J214
		6 x M25 (6-17/14-23 mm)	3 x M25	12 X 6 mm <sup>2</sup> + 4 E	32A	24C1D0000J215
		8 x M25 (6-17/14-23 mm)	4 x M25	12 X 6 mm <sup>2</sup> + 4 E	32A	24C1D0000J216
		6 x M32 (14-23/20-29 mm)	3 x M32	10 X 10 mm <sup>2</sup> + 3 E	45A	24C1E0000J217
		8 x M32 (14-23/20-29 mm)	4 x M32	10 X 10 mm <sup>2</sup> + 3 E	45A	24C1E0000J218

[1] Maximum current, at +60°C, for the maximum cable cross-section per terminal of the configuration concerned.  
Details and drawings available on request.



According to configurations and the temperature class requested, the maximum current can be modified.  
Contact us for other configurations and boxes.



# JUNCTION BOXES

## MXBJ



IP66



0,2 -  
300 mm<sup>2</sup>



GRP  
METAL



IK09



-25 °C<sup>(1)</sup>  
+60 °C



ATEX



1, 2,  
21, 22



Existing terminal  
configurations up to 400 A.

### OTHER FEATURES

Material	GRP casing, aluminium, stainless steel AISI 316L.
Cable entries	M12 to M80.
Flexible and stranded wiring (min.-max.)	0,2 - 300 mm <sup>2</sup>

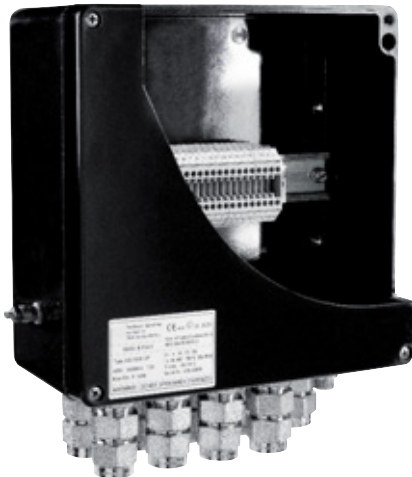
### STANDARDS

International and European IEC/EN standards	62262, 60079-0, 60079-7, 60079-11 et 60079-31.
---	--

### MARKING AND CERTIFICATION

ATEX markings	II 2 G Ex eb IIC T <sup>(2)</sup> Gb increased safety II 2 G Ex ia IIC T <sup>(2)</sup> Gb or II 2 G Ex ib IIC T <sup>(2)</sup> Gb intrinsic safety II 2 G Ex eb ib or ia IIC T <sup>(2)</sup> Gb increased safety and intrinsic safety II 2 D Ex tb IIIC T <sup>(2)</sup> Db in dust.
	<sup>(2)</sup> Depending on ambient temperature and terminals used.

Certificates	Certificates IECEx N° IECEx LCI 11.0026X et ATEX N° LCIE 11 ATEX 3028X.
--------------	---



**i** ACCESSORIES ON REQUEST

- Earth stud
- Earth bar
- Shield bar
- Junction bar
- Hinges
- Mounting
- Purge or breather
- Earthing plate
- Metal gland with or without earth ring

# SOCKET-OUTLET COMBINATION BOXES MXBS



IP66



0,22 -  
400 mm<sup>2</sup>



GRP  
METAL



IK09



-25 °C<sup>(1)</sup>  
+60 °C



ATEX



1, 2,  
21, 22

Existing terminal configurations up to 680 A.



## OTHER FEATURES

Material	Casing in GRP, aluminium alloy or stainless steel. Screws in stainless steel.
Junction	Terminal blocks. Feed through and loop-in loop-out connection.
Cable entries	M12 to M80 depending on the size of the box/Polyamide cable gland for unarmoured cable. Nickel plated brass cable gland for unarmoured cable and armoured cable (with plate or washer bonding inside the box).
Flexible and stranded wiring (min.-max.)	0,22 - 400 mm <sup>2</sup>

## STANDARDS

International and European IEC/EN standards 62262, 60079-0, 60079-7, 60079-11 et 60079-31.

## MARKING AND CERTIFICATION

ATEX markings  $\text{Ex}$  II 2 G Ex eb IIC T<sup>(2)</sup> Gb increased safety  $\text{Ex}$  II 2 G Ex ia IIC T<sup>(2)</sup> Gb  
 $\text{Ex}$  II 2 G Ex ib IIC T<sup>(2)</sup> Gb intrinsic safety  
 $\text{Ex}$  II 2 G Ex eb ia or eb ib IIC T<sup>(2)</sup> Gb increased safety and intrinsic safety  
 $\text{Ex}$  II 2 D Ex tb IIIC T<sup>(2)</sup> Db in dust.

<sup>(2)</sup> Depending on ambient temperature and connectivity used..

Certificates Certificates IECEx N° IECEx LCI 11.0042X  
ATEX n° LCIE 11 ATEX 3047X.

**ASSOCIATED MARECHAL® PRODUCTS**

DECONTACTOR™	DXA1, DXN1, DXN3 and DXN6
Connectors	PNCX and SPeX
Multicontact connectors	PXN12C, DXN25C and DXN37C



**ACCESSORIES ON REQUEST**

- Inclined sleeve
- Earth stud
- Earth bar
- Hinges
- Mounting brackets
- Purge or breather
- Earthing plate
- Metal gland with or without earth ring