

THE HANDLE THAT KEEPS ITS PROMISES ... AND YOUR CABLES IN.

Tougher, smarter, safer.

Improved
shock
resistance: IK09

Stronger
sealing:
IP66/IP67

Perfect cable
anchoring
up to
49 mm Ø

Increased interior
volume for
comfortable wiring

M5 screw-in inserts
ensure efficient screw
fastening

Designed for demanding environments, our new handle combines optimal sealing (IP66/IP67) with enhanced mechanical strength

The integrated cable gland system perfectly compresses the sealing ring around the cable, ensuring reliable protection against water, dust, and splashes.

The double anchoring system with symmetrical stainless-steel clamps provides solid and durable cable fastening, even in tough conditions.

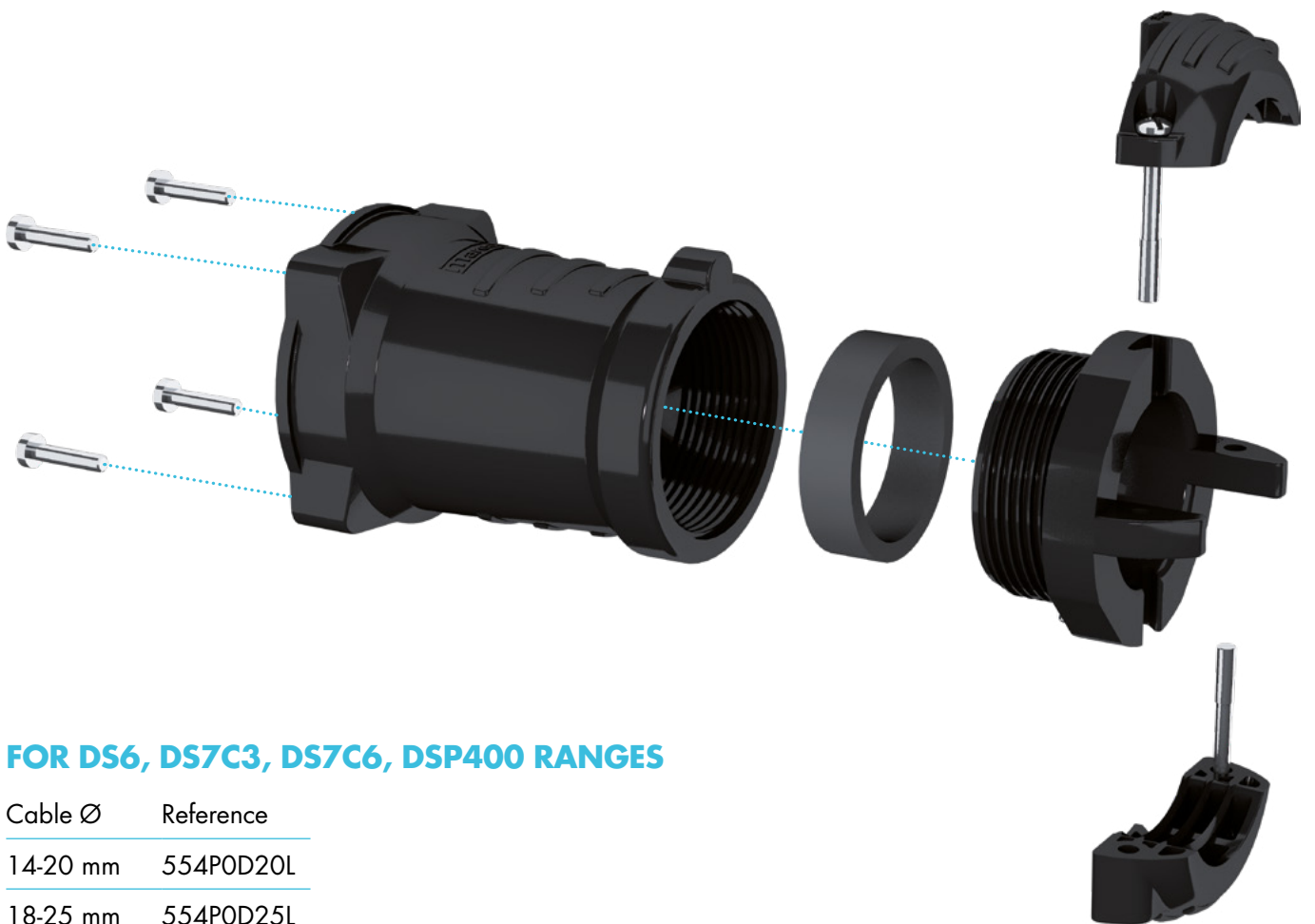
Thanks to its increased interior volume, this handle simplifies your wiring operations:

- more space for quick and ergonomic connections,
- wider clamping ranges to suit more configurations,
- easier handling during assembly.

Finally, its high-impact-resistant body, combined with robust screw-in inserts, ensures long-term reliability and efficient fastening.

The result: a handle designed for safety, durability, and above all, easy installation — saving you time and peace of mind on site.

The cable anchoring, achieved with 2 symmetrical clamps tightened by M5 stainless-steel screws-in insert, ensures optimal tightness, while alternating screw fastening guarantees perfect alignment. On the other hand, an anti-rotation screw prevents the gland from loosening if the cable rotates and maintains the seal of the handle.



FOR DS6, DS7C3, DS7C6, DSP400 RANGES

Cable Ø	Reference
14-20 mm	554POD20L
18-25 mm	554POD25L
25-35 mm	554POD35L
35-45 mm	554POD45L
45-49 mm	554POD49L