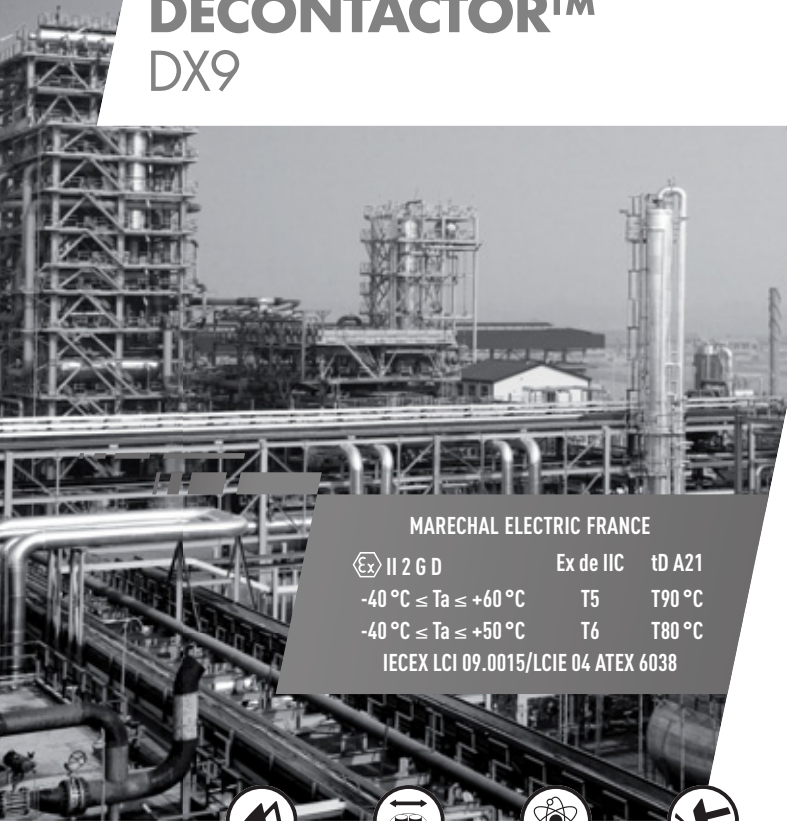


125 A

750 V
U_{MAX} II

DECONTACTOR™ DX9



MARECHAL ELECTRIC FRANCE

II 2 G D Ex de IIC tD A21
 -40 °C ≤ Ta ≤ +60 °C T5 T90 °C
 -40 °C ≤ Ta ≤ +50 °C T6 T80 °C
 IECEx LCI 09.0015/LCIE 04 ATEX 6038



IP65
IP66



35-50 mm² (1)
50-70 mm² (2)



METAL



IK10



-40 °C
+60 °C



ATEX



1, 2,
21, 22

(1) Flexible wiring (min.-max.).
(2) Stranded wiring (min.-max.).



**Other configurations
on request**

**Locking position
connected or
disconnected by
lockable shaft.**

STANDARDS

International and European
IEC/EN standards

60079-0, 60079-1, 60079-7, 60079-31, 60309-1, 60309-4,

Protection mode

de, tD

SOCKET-OUTLET
female
DX9



**INCLINED
APPLIANCE**
inlet
DX9



PLUG
male
DX9




**Each socket outlet
or inlet must be
associated with a box,
a sleeve or a handle.**


380-440 V AC	3P+E	2694013	2696013	16-27 mm	2691013
				23-35 mm	269101350M
				36-48 mm	269101363M
380-440 V AC	3P+N+E	2694017	2696017	16-27 mm	2691017
				23-35 mm	269101750M
				36-48 mm	269101763M


► Other currents, voltages, frequencies and contact configurations are available (see page 14).

REFERENCES ACCESSORIES

WALL BOX	Cable gland entry	Cable outer Ø	Reference
WALL BOX METAL 90° EX METAL CABLE GLAND INCLUDED*			
	M32	12-21 mm	269AB5332M
	M40	16-27 mm	269AB53
	M50	23-35 mm	269AB5350M
	M63	36-48 mm	269AB5363M

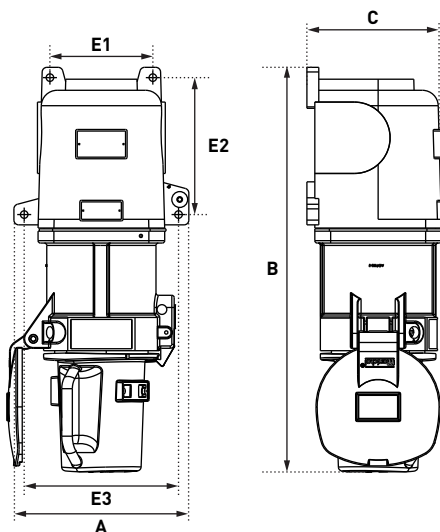
* Optional versions for earth continuity are available, please contact us

HANDLES	Cable gland entry	Cable outer Ø	Reference
STRAIGHT HANDLE METAL BOX EX METAL CABLE GLAND INCLUDED*			
	M32	12-21 mm	269A95332M
	M40	16-27 mm	269A963
	M50	23-35 mm	269A95350M
	M63	36-48 mm	269A95363M

OPTIONS	Reference
INLET CAP IP66/IP67	
	269A926

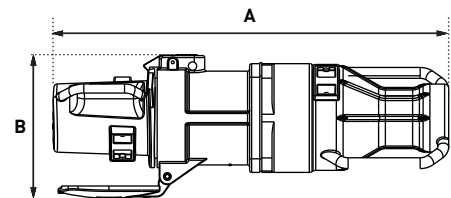
DRAWINGS AND DIMENSIONS

PLUG ON WALL MOUNTED SOCKET OUTLET



A	B	C	E1	E2	E3
221	511	173	130	173	195

COUPLER



A	B	C
582	212	160