

200 A 750 V

U MAXI

DECONTACTOR™ DX2



MARECHAL ELECTRIC FRANCE

II 2 G D Ex de IIC tD A21
 -40 °C ≤ Ta ≤ +60 °C T3 T91 °C
 IECEx LCI 09.0015/LCIE 04 ATEX 6038



IP65
IP66



50 mm² ⁽¹⁾
70 mm² ⁽²⁾



METAL



IK10



-40 °C
+60 °C



ATEX



1, 2,
21, 22

(1) Flexible wiring.
(2) Stranded wiring.



**Other configurations
on request**

**Locking position
connected or
disconnected by
lockable shaft.**

STANDARDS

International and European
IEC/EN standards

60079-0, 60079-1, 60079-7, 60079-31, 60309-1, 60309-4,

Protection mode

de, tD



**Each socket outlet
or inlet must be
associated with a box,
a sleeve or a handle.**

SOCKET-OUTLET
female
DX2 (200 A)



**INCLINED
APPLIANCE**
inlet
DX2 (200 A)




PLUG
male
DX2 (200 A)




380-440 V AC	3P+E	2674013	2676013	36-48 mm	2671013
380-440 V AC	3P+N+E	2674017	2676017	36-48 mm	2671017


► Other currents, voltages, frequencies and contact configurations are available (see page 14).

REFERENCES ACCESSORIES

WALL BOX	Cable gland entry	Cable outer Ø	Reference
WALL BOX METAL 90° EX METAL CABLE GLAND INCLUDED*			
	M63	36-48 mm	267AB53

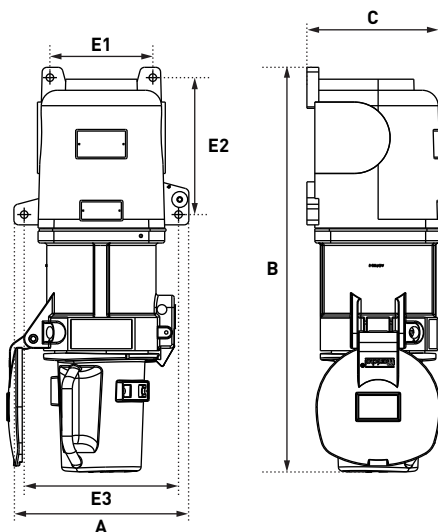
* Optional versions for earth continuity are available, please contact us

HANDLES	Cable gland entry	Cable outer Ø	Reference
STRAIGHT HANDLE METAL BOX EX METAL CABLE GLAND INCLUDED*			
	M63	36-48 mm	267A963

OPTIONS	Reference
INLET CAP IP66/IP67	
	267A926

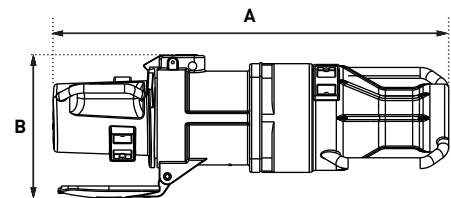
DRAWINGS AND DIMENSIONS

PLUG ON WALL MOUNTED SOCKET OUTLET



A	B	C	E1	E2	E3
221	511	173	130	173	195

COUPLER



A	B	C
582	212	160