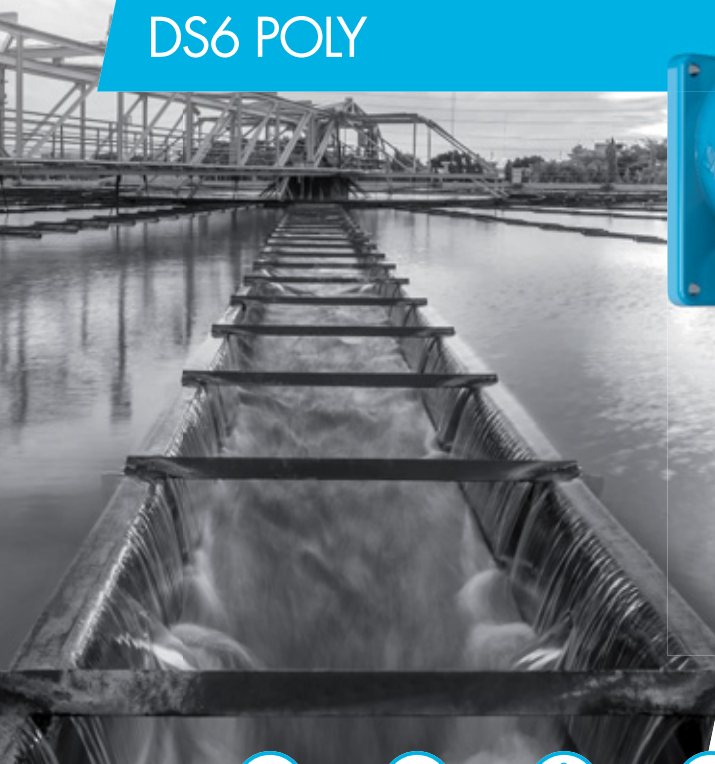


90 A

1 000 V

U MAXI

DECONTACTOR™ DS6 POLY



IP66
IP67



10-25 mm² (1)
10-35 mm² (2)



GRP



IK09



-40 °C
+60 °C



AC-22
AC-23



60309-1
60309-4



4 AUX. (3)

(1) Flexible wiring (min.-max.).
(2) Stranded wiring (min.-max.).
(3) Flexible wiring 2,2 mm².



Other cable sections:
please contact us

GRP devices are not
compatible with metal
devices.



For a black colour
housing replace the second
reference character with 5.

Dual-voltage
socket-outlet
(see p. 11)

LOAD-BREAK CAPABILITY OF THE DECONTACTOR™

Comply with IEC/EN 60309-1 and IEC/EN 60309-4 standards	(90 A/690 V) or (63 A/1000 V)
Load-break capability according to IEC/EN 60947-3/AC-22	63 A/690 V
Load-break capability according to IEC/EN 60947-3/AC-23	90 A/400 V
Short-circuit current I _{cc}	10 kA
Power kW AC-22/AC-23	45 kW

SOCKET-OUTLET

female
DS6












INLET male
DS6










220-250 V AC	1P+N+E	3164015	3168015
380-440 V AC	3P+E	3164013	3168013
220-250 V AC 380-440 V AC	3P+N+E	3164017	3168017
660-690 V AC	3P+E	3164193	3168193
380-400 V AC 660-690 V AC	3P+N+E	3164197	3168197
1 000 V AC	3P+E	3164223	3168223
Auxiliaries 5 A/500 V AC	+ 2 contacts	Ref. + 972	Ref. + 972
Auxiliaries 5 A/500 V AC	+ 4 contacts	Ref. + 264	Ref. + 264

- ▶ Other currents, voltages, frequencies and contact configurations are available (see page 14).
- ▶ Existing version for 100 A is available, order Reference +228.



OPTIONS	Reference
LOCKING PIN FOR 2 PADLOCKS Ø 4 TO 8 mm (PADLOCKS NOT SUPPLIED)	
	Socket-outlet ref. +843
SAFETY HASP FOR UP TO 6 PADLOCKS	
	399A541
LARGER RELEASE BUTTON	
	Ref. socket +453
INLET CAP IP66/IP67	
	316A426
IN-LINE CONNECTIONS (A PAIR OF FINGER DRAW PLATES TO AID CLOSING)	
	316A346
IP40 SELF RETURNING LID (MANUAL CLOSING)	
	Ref. socket + R
IP55 METAL LOCKABLE SELF-CLOSING LID FOR INLET	
	316A226
SELF-EJECTION	
	See page 192
PRODUCTS AVAILABLE IN BLACK ●	
The black dot means these products are also available in black color. Replace the second character of the product reference with 5	

HANDLE	Input/ Cable outer Ø	Reference	Self-ejection
ELASTOMER HANDLE WITH GLAND			
	18-25 mm	554P0D25L	Ref. +443
	25-35 mm	554P0D35L	Ref. +443
	35-45 mm	554P0D45L	Ref. +443
	45-49 mm	554P0D49L	Ref. +443
POLY HANDLE WITH GLAND ●			
	13-35 mm	514P0D35	/
POLY HANDLE + POLY CABLE GLAND ●			
	14-25 mm	514P032P	Ref. +443
	18-32 mm	514P040P	Ref. +443
	24-38 mm	514P050P	Ref. +443
POLY HANDLE (WITHOUT CABLE GLAND) ●			
	M32	514P0M32	Ref. +443
	M40	514P0M40	Ref. +443
	M50	514P0M50	/
METAL HANDLE METRIC THREAD ENTRY (WITHOUT CABLE GLAND)			
	M25	594P0M25	/
	M32	594P0M32	/
	M40	594P0M40	/
	M50	594P0M50	/

HANDLE	Input/Cable outer Ø	Reference
METAL HANDLE WITH METAL GLAND (+ EARTHING WIRE)		
	8-16 mm	594P025M
	16-24 mm	594P032M
	22-32 mm	594P040M
	34-44 mm	594P050M

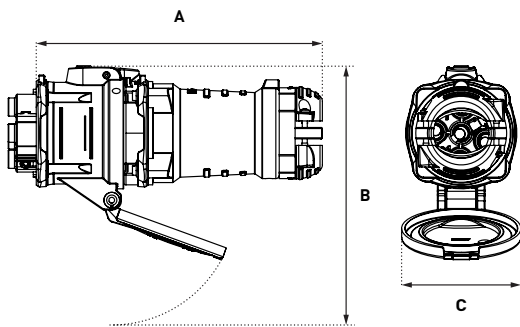
BOXES	∠x°	Input	Reference	
POLY BOX ●				
	30°	M32	514B3M32	
	30°	M40	514B3M40	
METAL BOX (+ EARTHING WIRE)				
	20°	M25	594B2M25	
	20°	M32	594B2M32	
	20°	M40	594B2M40	
POLY BOX + POLY SLEEVE				
	70°	Without hole	514C7000	
	70°	Hole Ø 32	514C7M32	
	70°	Hole Ø 40	514C7M40	
Earth bar ref. : 51AA089				
METAL BOX (+ EARTHING WIRE) + POLY SLEEVE				
	30°	M25	514C3M25	
	30°	M32	514C3M32	
	30°	M40	514C3M40	
	30°	M50	514C3M50	
METAL BOX (+ EARTHING WIRE) + METAL SLEEVE				
	30°	M25	594C3M25	
	30°	M32	594C3M32	
	30°	M40	594C3M40	
	30°	M50	594C3M50	
	0° (Straight)	M25	594C0M25	
	0° (Straight)	M32	594C0M32	
	0° (Straight)	M40	594C0M40	
	0° (Straight)	M50	594C0M50	
		70°	M25	594C7M25
		70°	M32	594C7M32
70°		M40	594C7M40	
	70°	M50	594C7M50	

Cable glands are not delivered with the boxes.

SLEEVE	∠x°	Reference
POLY SLEEVE		
	30°	514M3
	70°	514M7
METAL SLEEVE		
	0° (Straight)	594M0
	30°	594M3
	70°	594M7

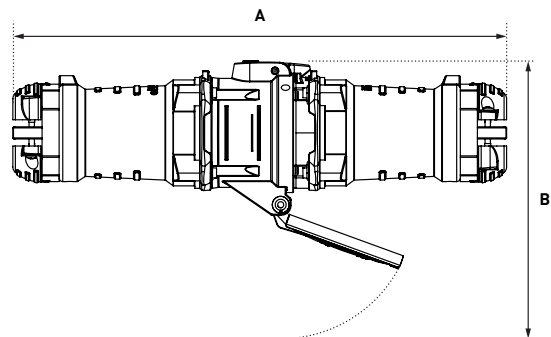
DRAWINGS AND DIMENSIONS

PLUG ON SOCKET-OUTLET



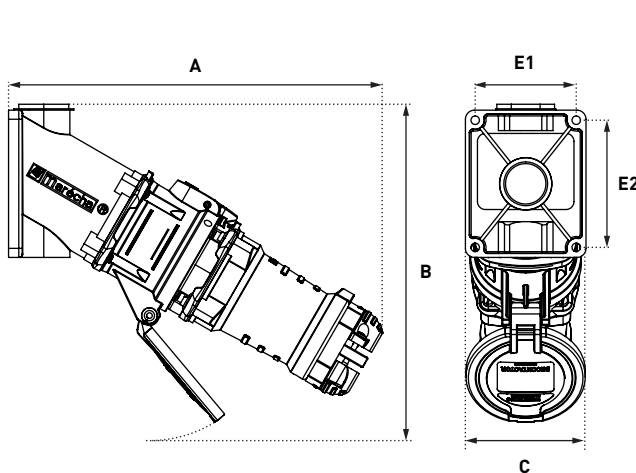
A	B	C
252	228	105

COUPLER



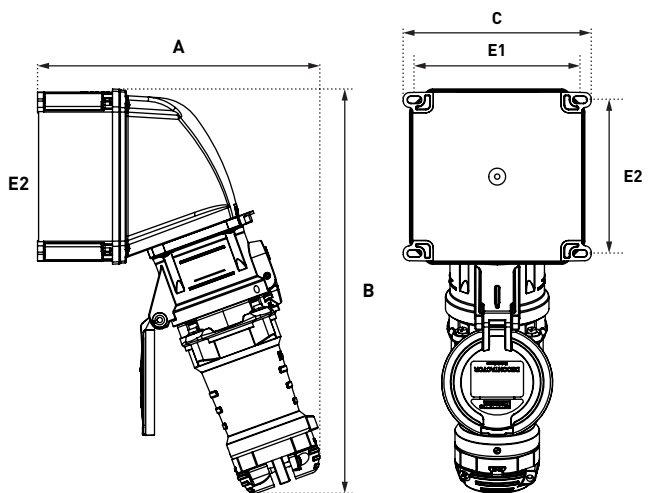
A	B
405	228

PLUG ON 30° WALL MOUNTED SOCKET OUTLET



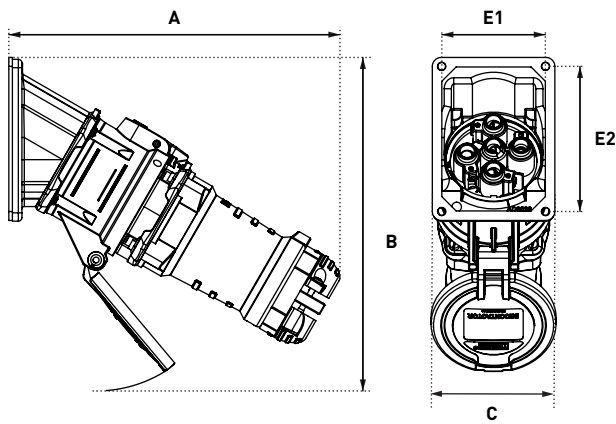
A	B	C	E1	E2
329	296	105	89	112

PLUG ON 70° WALL-MOUNTED SOCKET-OUTLET



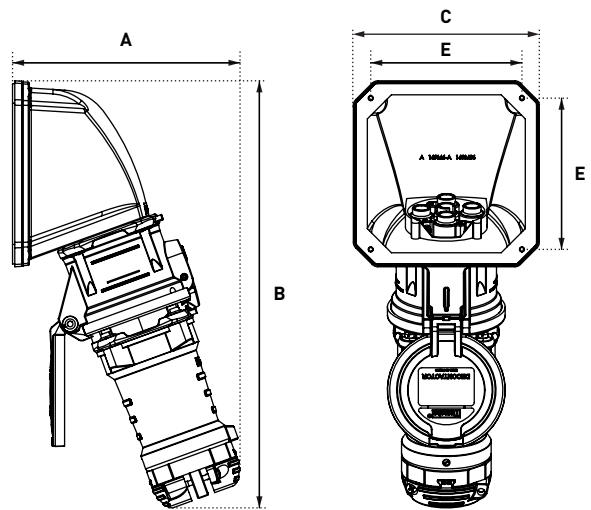
A	B	C	E1	E2
267	383	178	157	145

PLUG ON 30° INCLINED SOCKET-OUTLET



A	B	C	E1	E2
278	280	105	87	122

PLUG ON 70° INCLINED SOCKET-OUTLET



A	B	C	E
203	381	166	135



90 A

1 000 V
U MAXI

DECONTACTOR™ DS6 METAL



IP66
IP67



10-25 mm² (1)
10-35 mm² (2)



METAL



IK09



-40 °C
+60 °C



AC-22
AC-23



60309-1
60309-4
60947-3



4 AUX. (3)



EMC

(1) Flexible wiring (min.-max.).
(2) Stranded wiring (min.-max.).
(3) Flexible wiring : 2,2 mm².



Other configurations on request

GRP devices are not compatible with metal devices.

LOAD-BREAK CAPABILITY OF THE DECONTACTOR™

Comply with IEC/EN 60309-1 and IEC/EN 60309-4 standards	(90 A/690 V) or (63 A/1000 V)
Load-break capability according to IEC/EN 60947-3/AC-22	63 A/690 V
Load-break capability according to IEC/EN 60947-3/AC-23	90 A/400 V
Short-circuit current I _{cc}	10 kA
Power kW AC-22/AC-23	45 kW

SOCKET-
OUTLET female
DS6



INLET male
DS6







Dual-voltage
socket-outlet
(see p. 11)




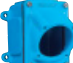



220-250 V AC	1P+N+E	3964015	3968015
380-440 V AC	3P+E	3964013	3968013
220-250 V AC 380-440 V AC	3P+N+E	3964017	3968017
660-690 V AC	3P+E	3964193	3968193
380-400 V AC 660-690 V AC	3P+N+E	3964197	3968197
1 000 V AC	3P+E	3964223	3968223
Auxiliaries 5 A/500 V AC	+ 2 contacts	Ref. + 972	Ref. + 972
Auxiliaries 5 A/500 V AC	+ 4 contacts	Ref. + 264	Ref. + 264

- ▶ Other currents, voltages, frequencies and contact configurations are available (see page 14).
- ▶ Existing version for 100A is available, order Reference +228.






OPTIONS	Reference
LOCKING PIN FOR 2 PADLOCKS Ø 4 TO 8 mm (PADLOCKS NOT SUPPLIED)	
	Socket-outlet ref. +843
SAFETY HASP FOR UP TO 6 PADLOCKS	
	399A541
LARGER RELEASE BUTTON	
	Ref. socket +453
INLET CAP IP66/IP67	
	316A426
IN-LINE CONNECTIONS (A PAIR OF FINGER DRAW PLATES TO AID CLOSING)	
	316A346
IP40 SELF RETURNING LID (MANUAL CLOSING)	
	Ref. socket + R
IP55 METAL LOCKABLE SELF-CLOSING LID FOR INLET	
	396A226
ELECTROMAGNETIC COMPATIBILITY (EMC) ● NEW	
	Please order a metal threaded accessory herewith, together with a EMC cable gland to be found on page 318.
SELF-EJECTION	
	See page 192

HANDLE	Input/Cable outer Ø	Reference	Self-ejection
ELASTOMER HANDLE WITH GLAND			
	18-25 mm	554P0D25L	Ref. +443
	25-35 mm	554P0D35L	Ref. +443
	35-45 mm	554P0D45L	Ref. +443
	45-49 mm	554P0D49L	Ref. +443

SLEEVE	∠ X°	Reference	
		POLY	METAL ●
	0° (Straight)	/	594M0
	30°	514M3	594M3
	70°	514M7	594M7

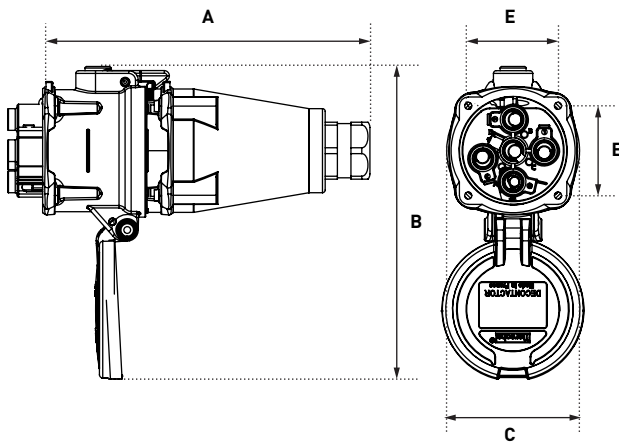
BOXES	∠ X°	Input	Reference
POLY BOX			
	30°	M32	514B3M32
	30°	M40	514B3M40
METAL BOX (+ EARTHING WIRE) ●			
	20°	M25	594B2M25
	20°	M32	594B2M32
	20°	M40	594B2M40
POLY BOX + POLY SLEEVE			
	70°	Without hole	514C7000
	70°	Ø 32 mm drill hole	514C7M32
Earth bar ref. : 51AA089	70°	Ø 40 mm drill hole	514C7M40
METAL BOX (+ EARTHING WIRE) + POLY SLEEVE			
	30°	M25	514C3M25
	30°	M32	514C3M32
	30°	M40	514C3M40
	30°	M50	514C3M50
METAL BOX (+ EARTHING WIRE) + METAL SLEEVE ●			
	30°	M25	594C3M25
	30°	M32	594C3M32
	30°	M40	594C3M40
	30°	M50	594C3M50
	0° (Straight)	M25	594C0M25
	0° (Straight)	M32	594C0M32
	0° (Straight)	M40	594C0M40
	0° (Straight)	M50	594C0M50
	70°	M25	594C7M25
	70°	M32	594C7M32
	70°	M40	594C7M40
	70°	M50	594C7M50

Cable glands are not delivered with the boxes.

HANDLE	Input/Cable outer Ø	Reference	Self-ejection
POLY HANDLE WITH GLAND			
	13-35 mm	514P0D35	/
POLY HANDLE + POLY CABLE GLAND			
	14-25 mm	514P032P	Ref. +443
	18-32 mm	514P040P	Ref. +443
	24-38 mm	514P050P	Ref. +443
POLY HANDLE (WITHOUT CABLE GLAND)			
	M32	514P0M32	Ref. +443
	M40	514P0M40	Ref. +443
	M50	514P0M50	/
METAL HANDLE + METAL CABLE GLAND (+ EARTHING WIRE) ●			
	8-16 mm	594P025M	/
	16-24 mm	594P032M	/
	22-32 mm	594P040M	/
	34-44 mm	594P050M	/
METAL HANDLE METRIC THREAD ENTRY (WITHOUT CABLE GLAND) ●			
	M25	594P0M25	/
	M32	594P0M32	/
	M40	594P0M40	/
	M50	594P0M50	/

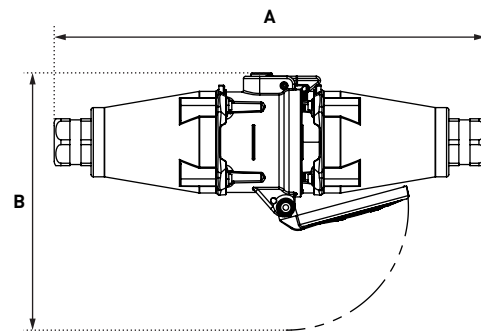
DRAWINGS AND DIMENSIONS

PLUG ON SOCKET-OUTLET



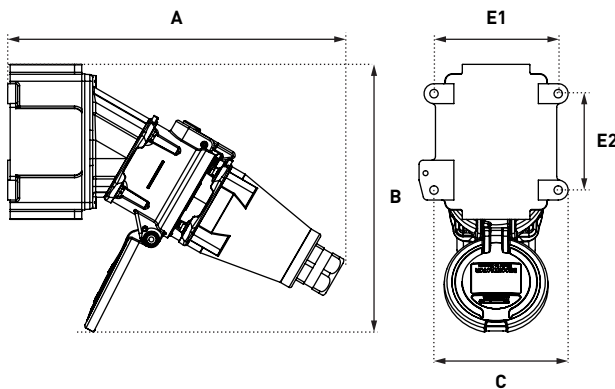
A	B	C	E
241	230	104	66

COUPLER



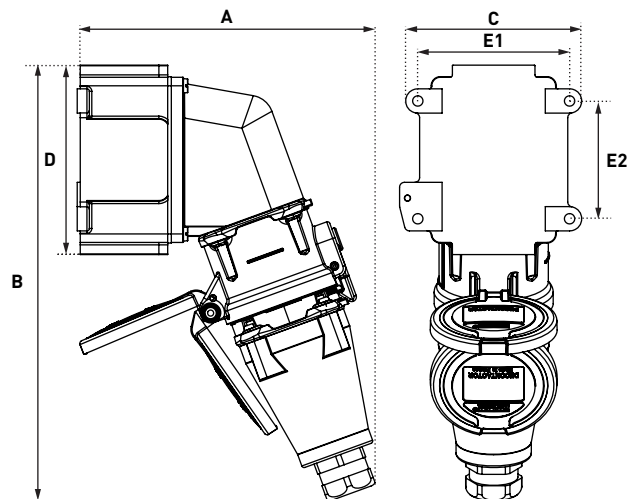
A	B
386	230

PLUG ON 30° WALL MOUNTED SOCKET OUTLET



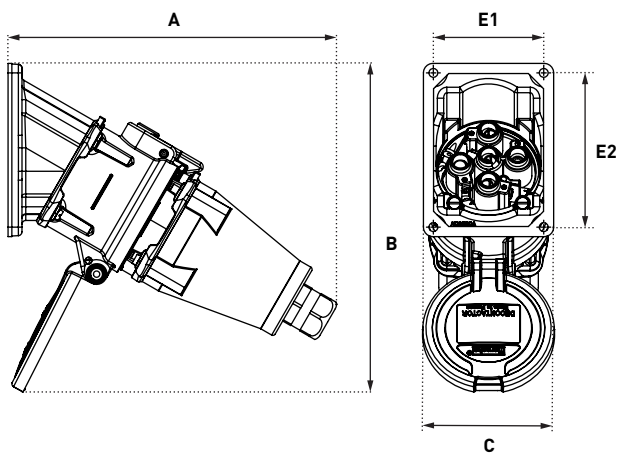
A	B	C	E1	E2
338	270	135	125	97

PLUG ON 70° WALL-MOUNTED SOCKET-OUTLET



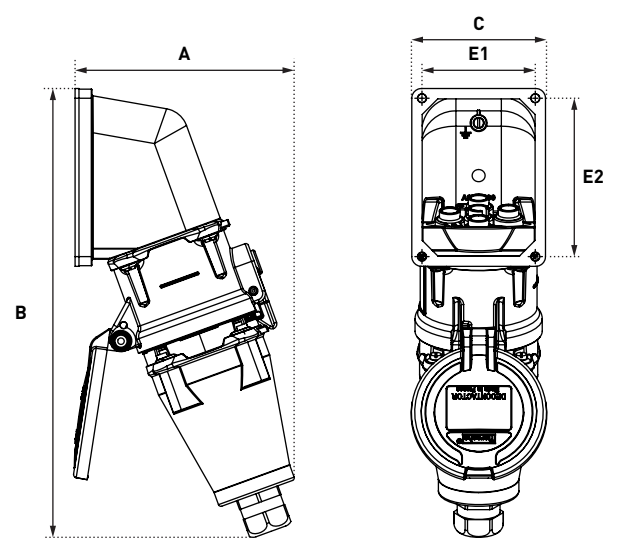
A	B	C	D	E1	E2
246	357	145	166	125	97

PLUG ON 30° INCLINED SOCKET-OUTLET



A	B	C	D	E1	E2
279	257	102	136	88	122

PLUG ON 70° INCLINED SOCKET-OUTLET



A	B	C	E1	E2
169	346	104	88	122

